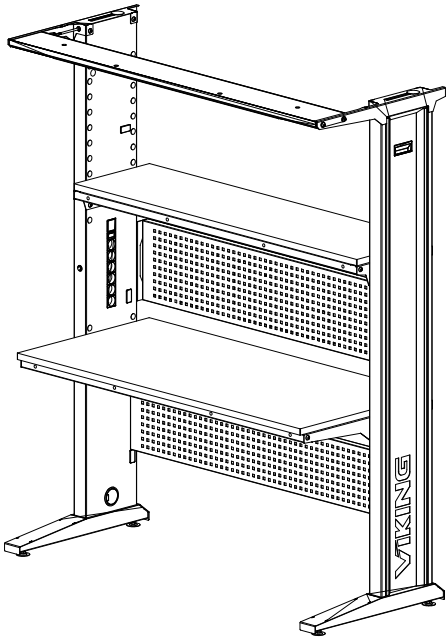
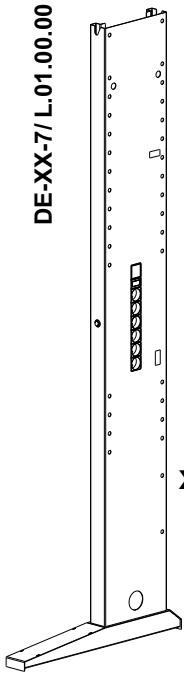


# VIKING

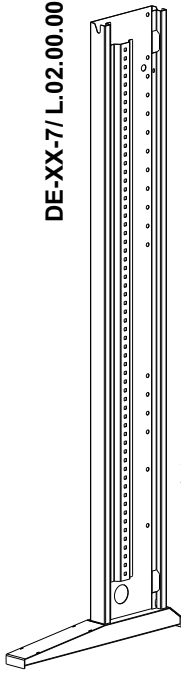


DE-XX-7/L.01.00.00



x1

DE-XX-7/L.02.00.00



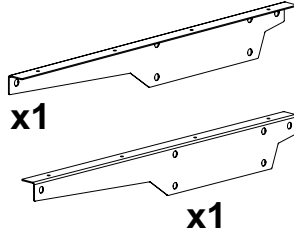
x1

DE-XX-7/L.03.00.00



x2

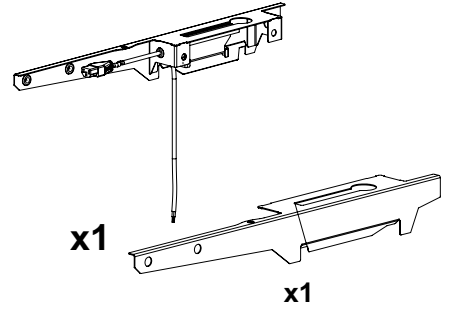
DE-XX-7/L.00.00.04



x1

x1

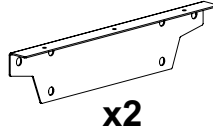
DE-XX-7/L.05.00.00



x1

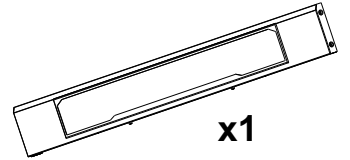
x1

DE-XX-7/L.00.00.05



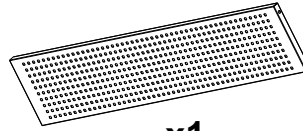
x2

DE-XX-7/L.07.00.00



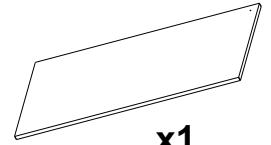
x1

DE-XX-7/L.00.00.01



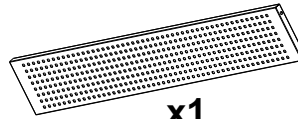
x1

SP:XX.00.05.00 /  
DE-XX-7/L.00.00.XX (ESD)



x1

DE-XX-7/L.XX.XX.01



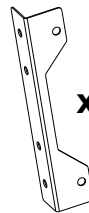
x1



x1

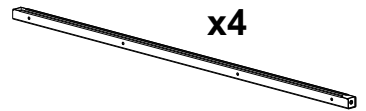
PO-XX-4.01.00 /  
DE-XX-7/L.00.00.XX (ESD)

DE-XX-7/L.03.00.02



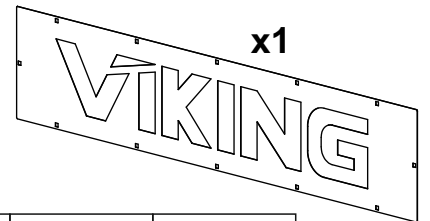
x2

DE-XX-7/L.XX.00.00






















x4

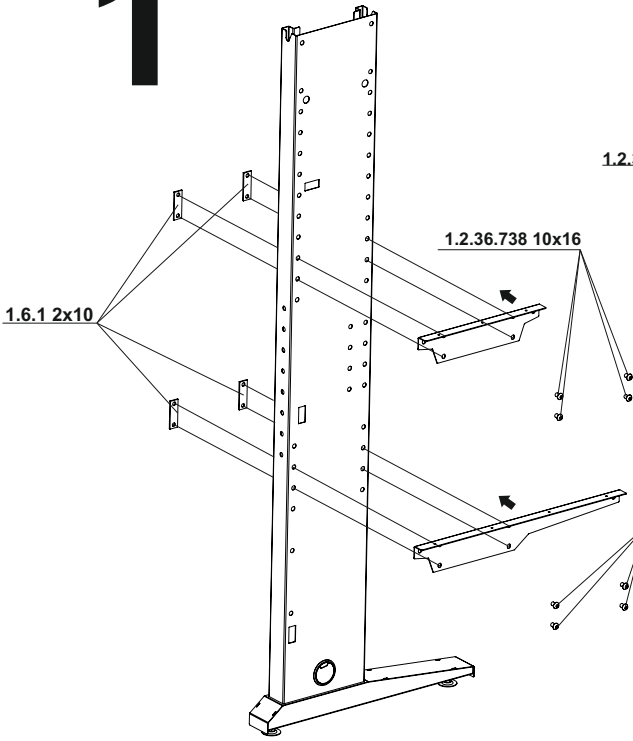
DE-XX-7/L.00.00.06



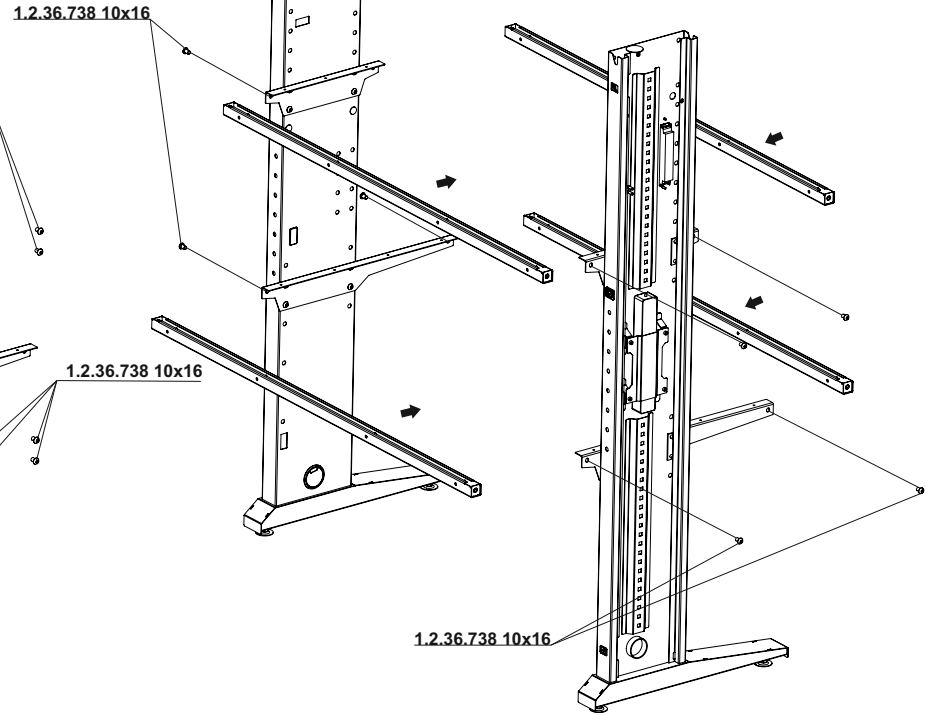
x1

1.2.36.738 10x16  <b>x48</b>	1.3.8.4x16  <b>x14</b>	1.6.1.2x10  <b>x12</b>	1.1.1.912 6x12  <b>x4</b>	2.1.9 D8  <b>x16</b>	2.1.20 D12  <b>x73</b>	2.1.21 D20  <b>x4</b>	2.1.26  <b>x1</b>	2.1.35  <b>x6</b>	
2.1.23 D60  <b>x2</b>	2.13.1  <b>x2</b>	1.3.14 5x50  <b>x16</b>	2.6.1  <b>x4</b>	1.6.2 1x10  <b>x12</b>	3.1.2 6x6  <b>x1</b>	3.1.3 5x5  <b>x1</b>	2.1.25  <b>x2</b>	2.14.1 C13  <b>x1</b>	1.10.2  <b>x1</b>

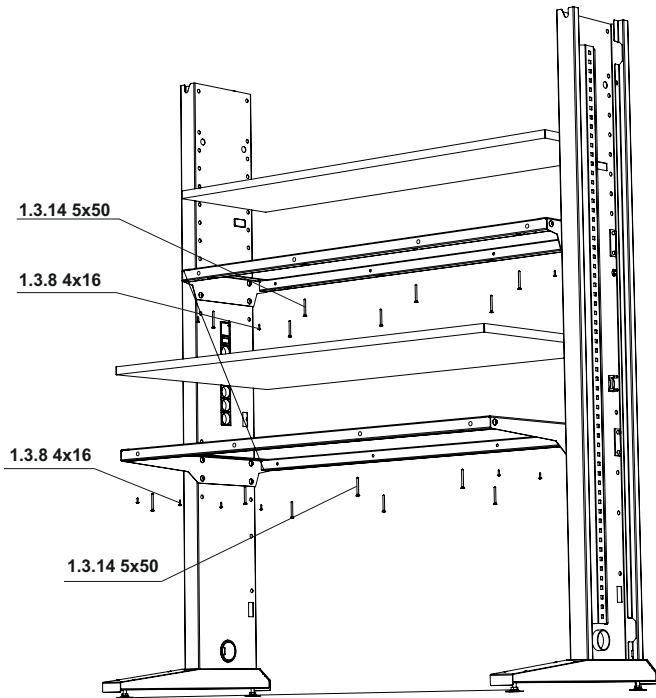
# 1



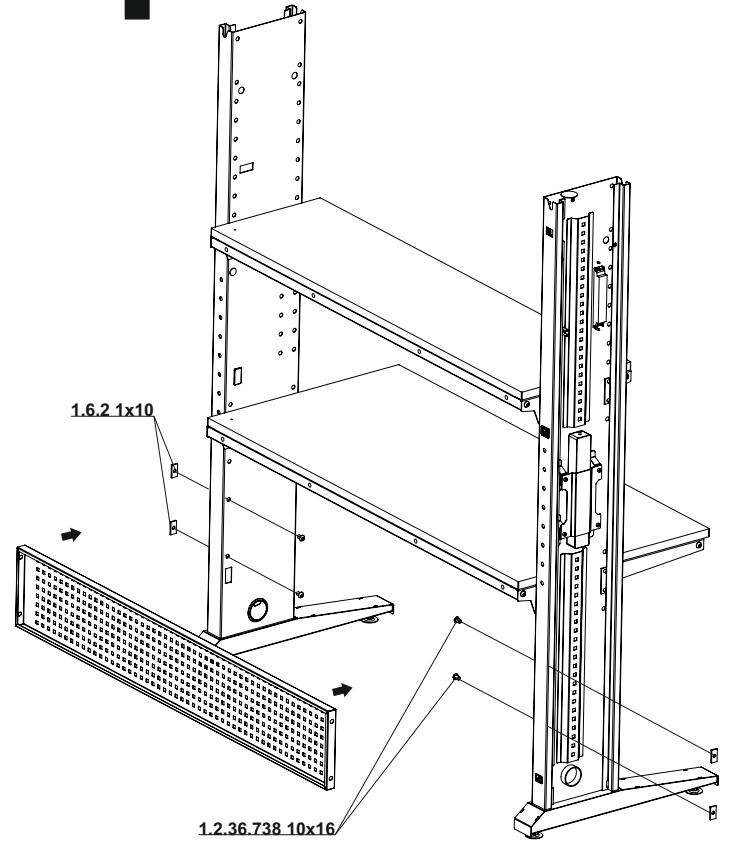
# 2



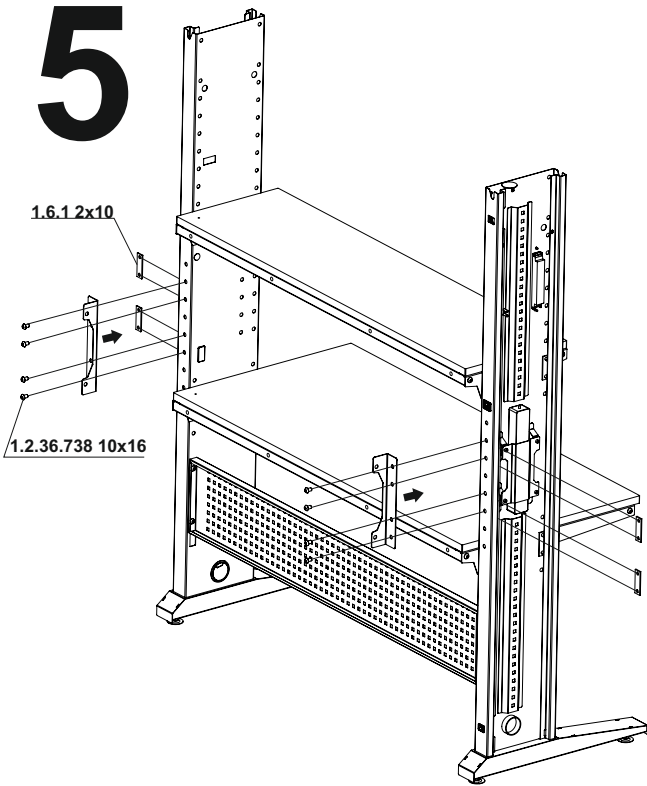
# 3



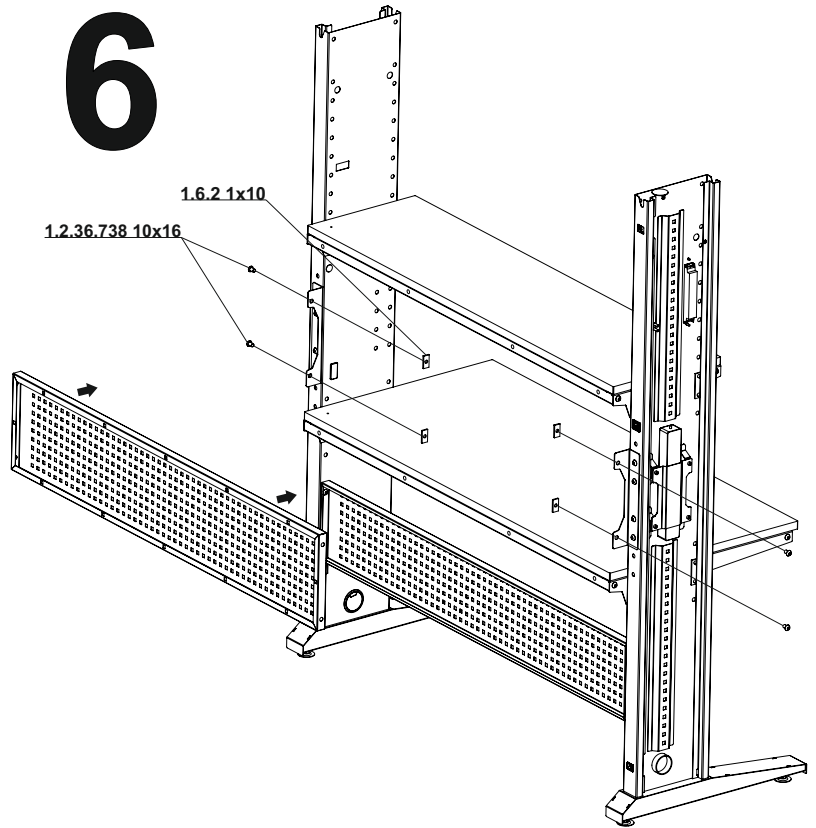
# 4



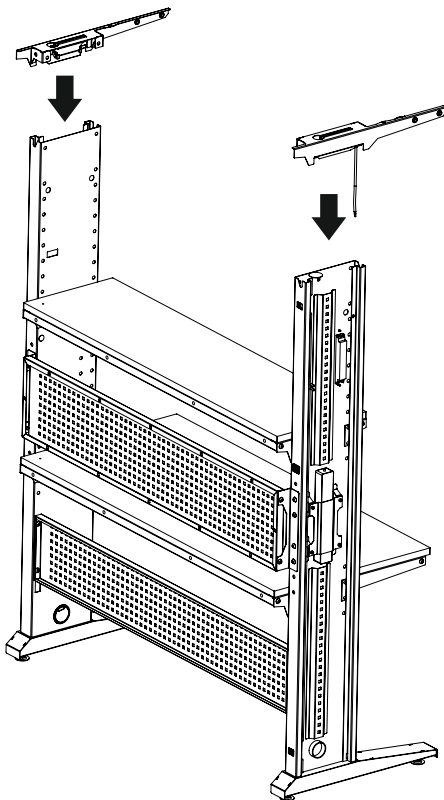
# 5



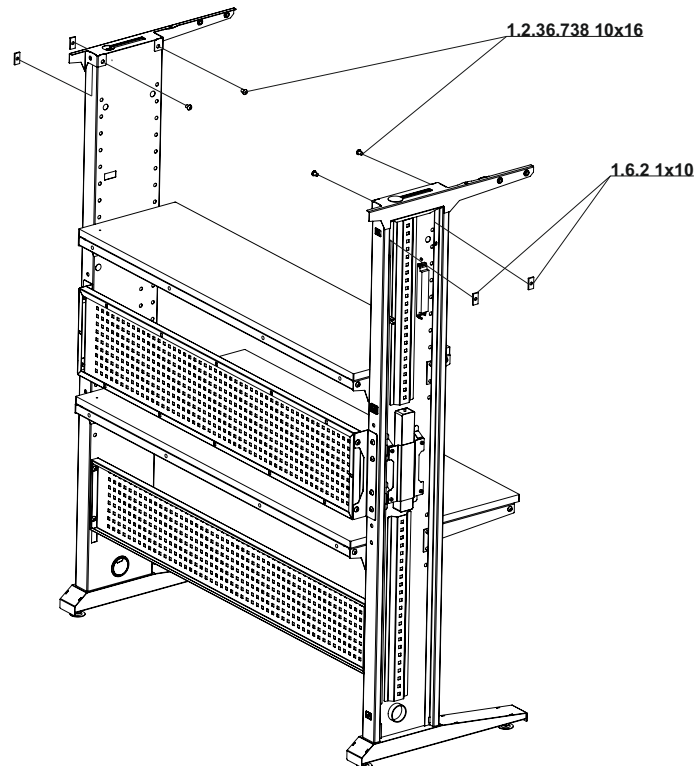
# 6

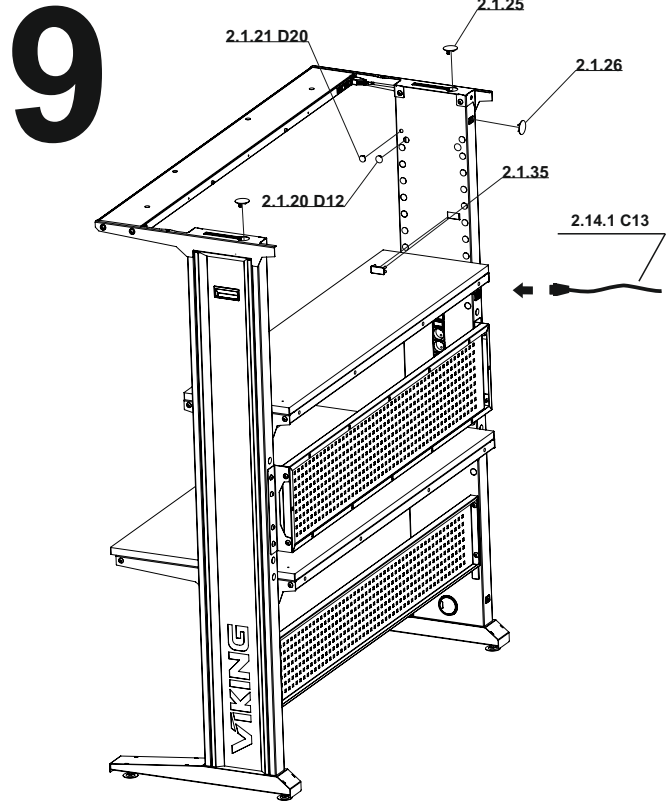
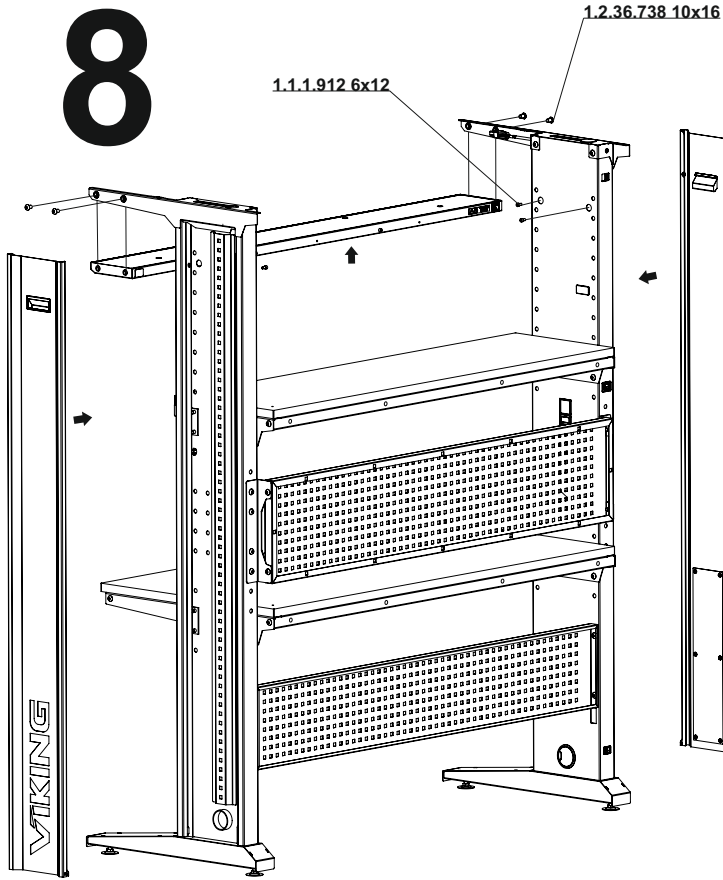


# 7.1

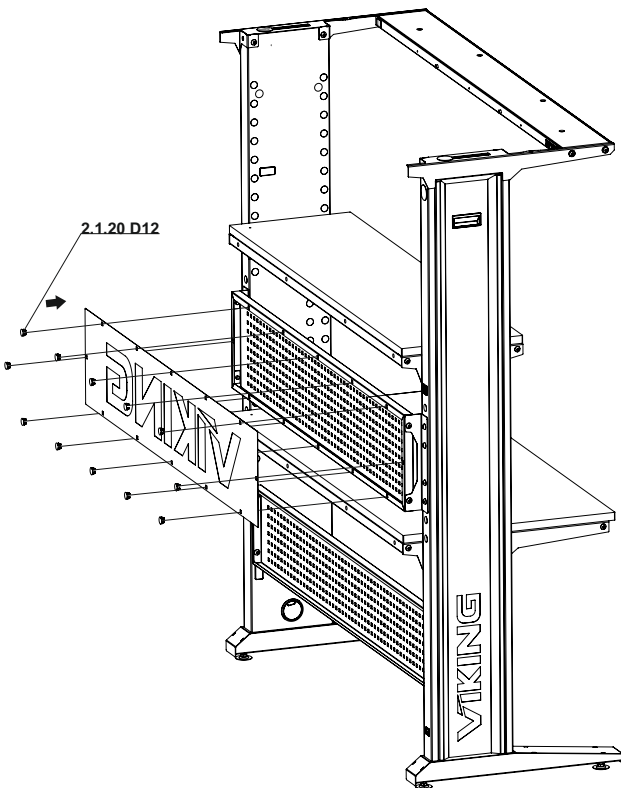


# 7.2

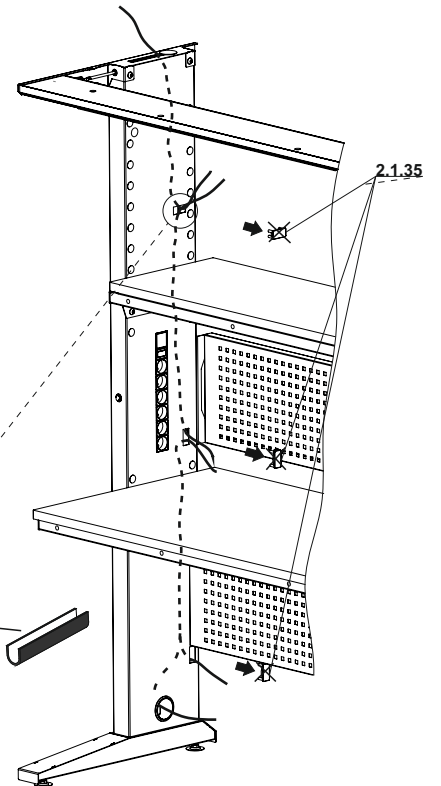
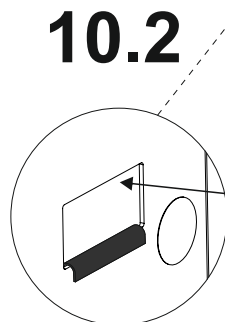
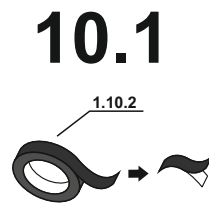




# 10



# 11



# 12

