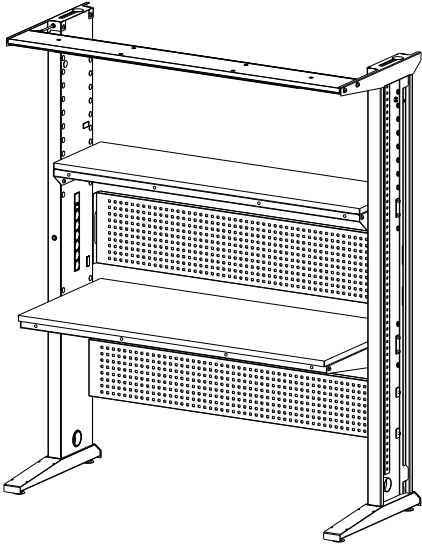
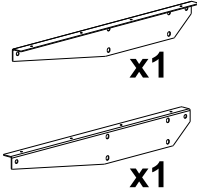


VIKING



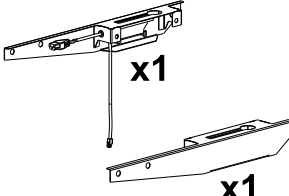
GM-XX-7/L.00.00.04



x1

x1

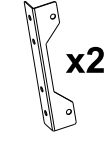
GM-XX-7/L.05.00.00



x1

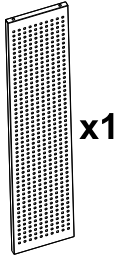
x1

GM-XX-7/L.03.00.02



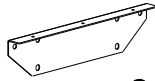
x2

GM-XX-7/L.00.00.01



x1

GM-XX-7/L.05.00.00



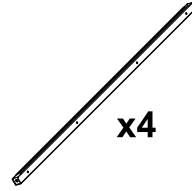
x2

GM-XX-7/PR.05.00.00



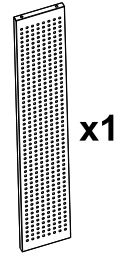
x1

GM-XX-7/L.XX.00.00



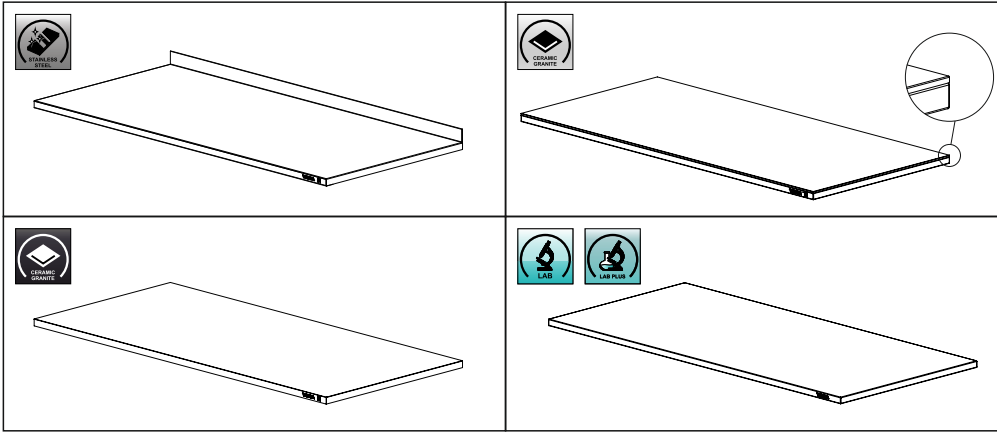
x4

GM-XX-7/L.XX.XX.01



x1

S-XX-7 LAB 00.00.00



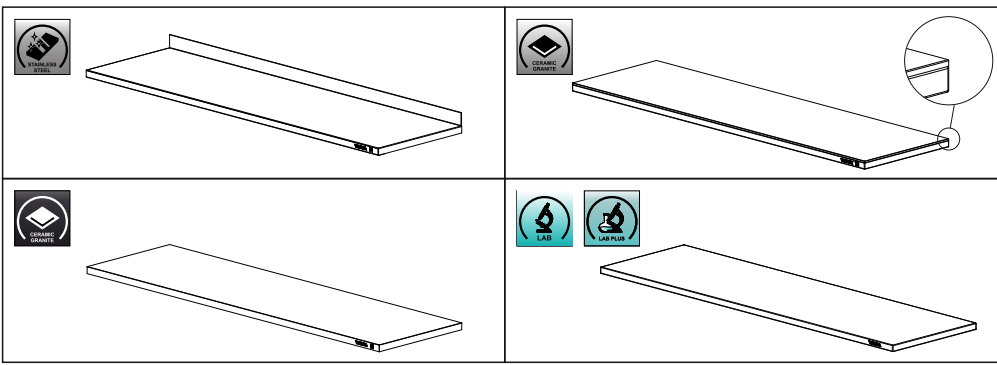
GM-XX-7/L.01.00.00

x1

GM-XX-7/L.02.00.00

x1

S-XX-3 LAB 00.00.00

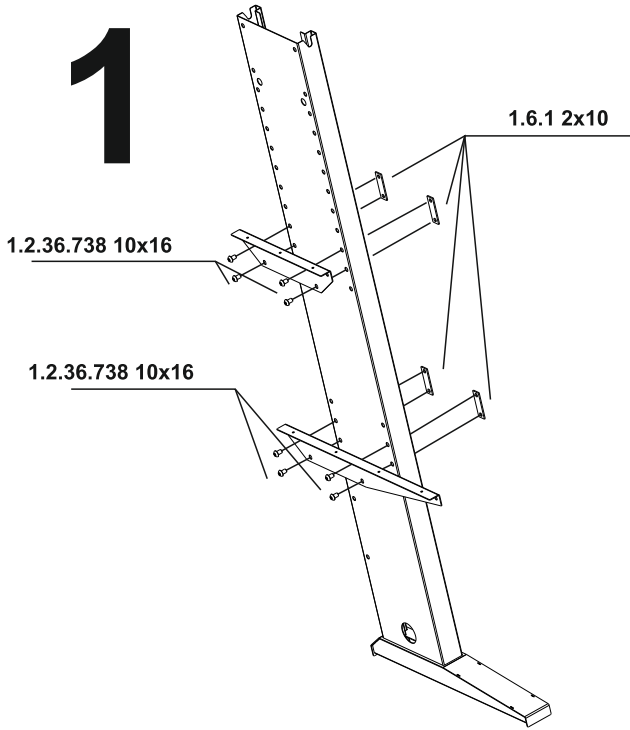


GM-XX-7/L.03.00.00

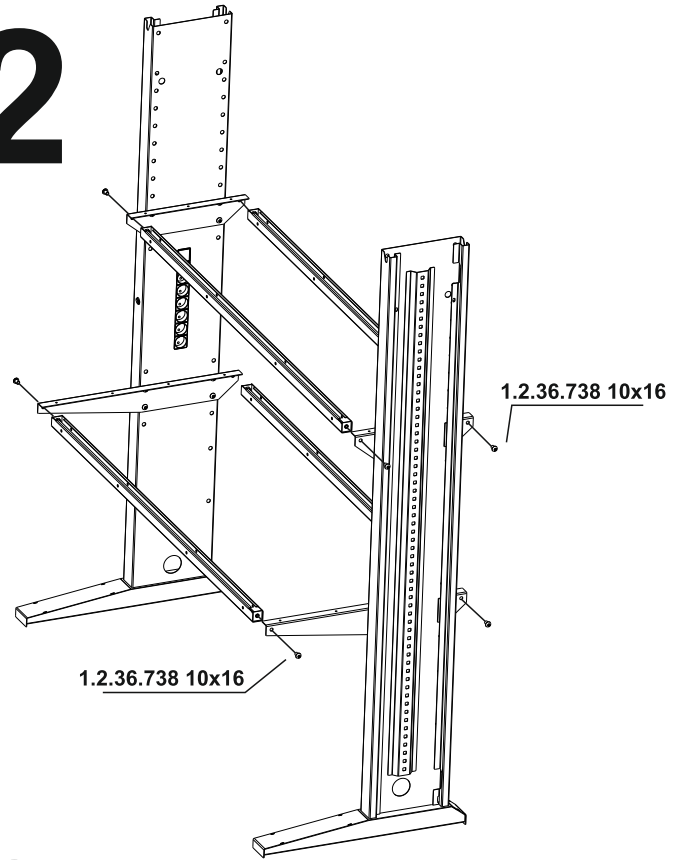
x2

1.2.36.738 10x16 x48	1.3.8 4x16 x14	1.6.1.2x10 x12	1.1.1.912 6x12 x4	2.1.9 D8 x16	2.1.20 D12 x61	2.1.21 D20 x4	2.1.26 x1	2.1.35 x4	1.10.2 x1
2.1.23 D60 x2	2.13.1 x2	2.14.1 x1	2.6.1 x4	1.6.2 1x10 x12	3.1.2 6x6 x1	3.1.3 5x5 x1	2.1.25 x2		

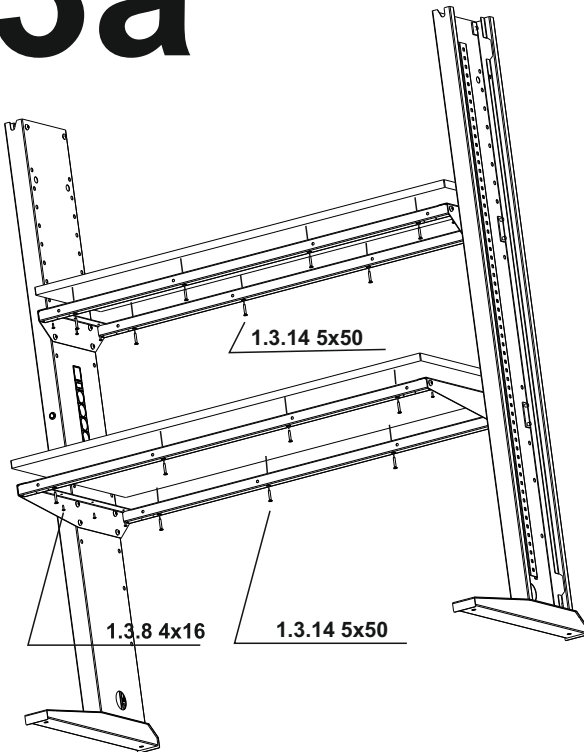
1



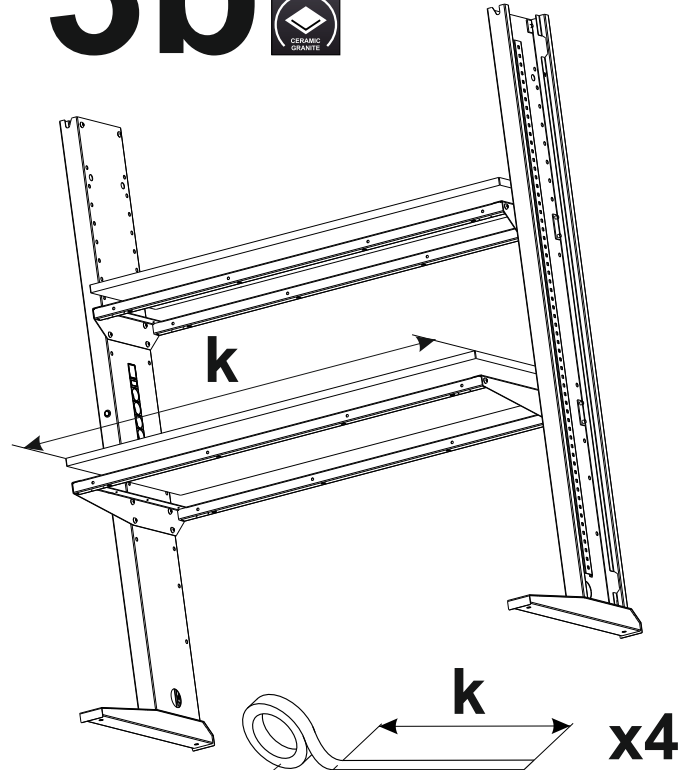
2



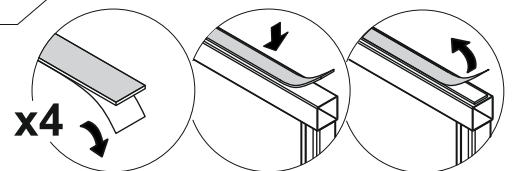
3a



3b



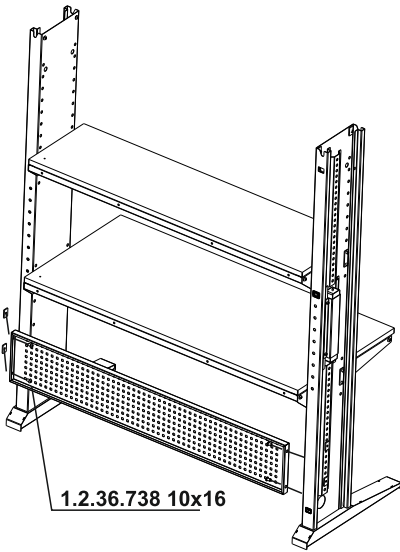
1.10.1.12x2



4

1.6.2 1x10

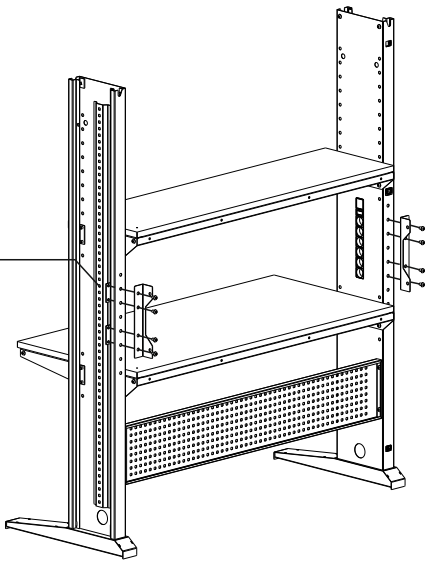
1.2.36.738 10x16



5

1.6.1 2x10

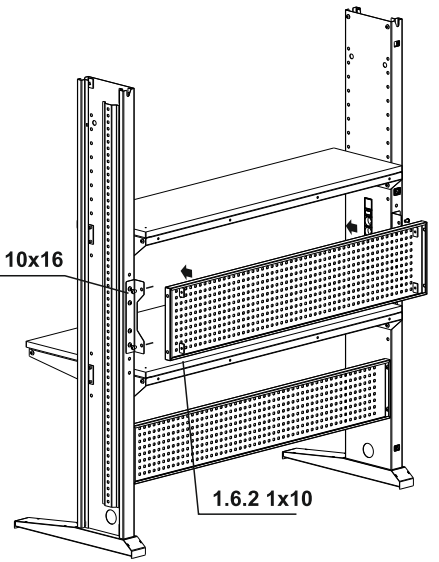
1.2.36.738 10x16



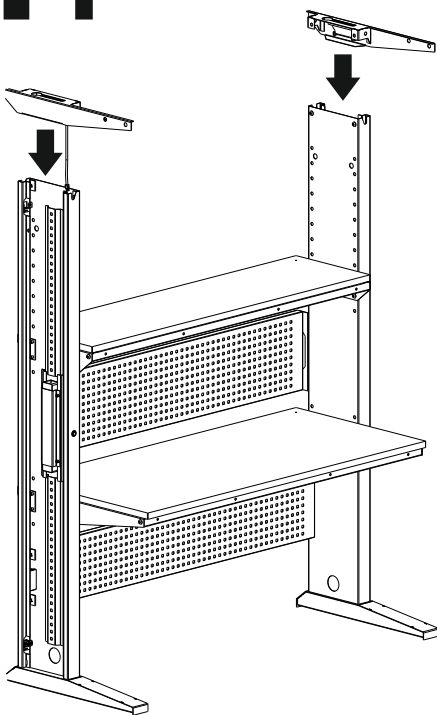
6

1.2.36.738 10x16

1.6.2 1x10



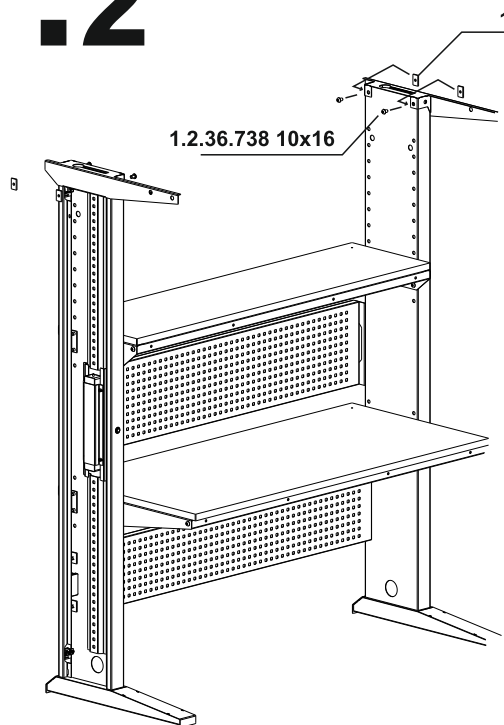
7.1



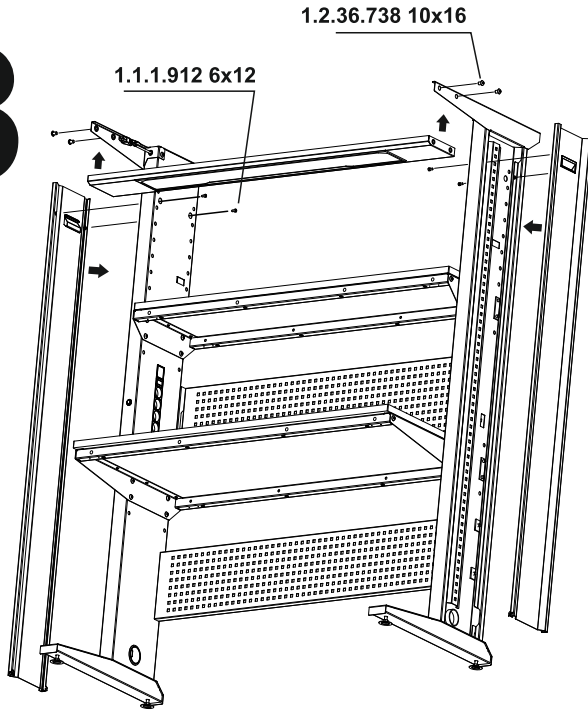
7.2

1.2.36.738 10x16

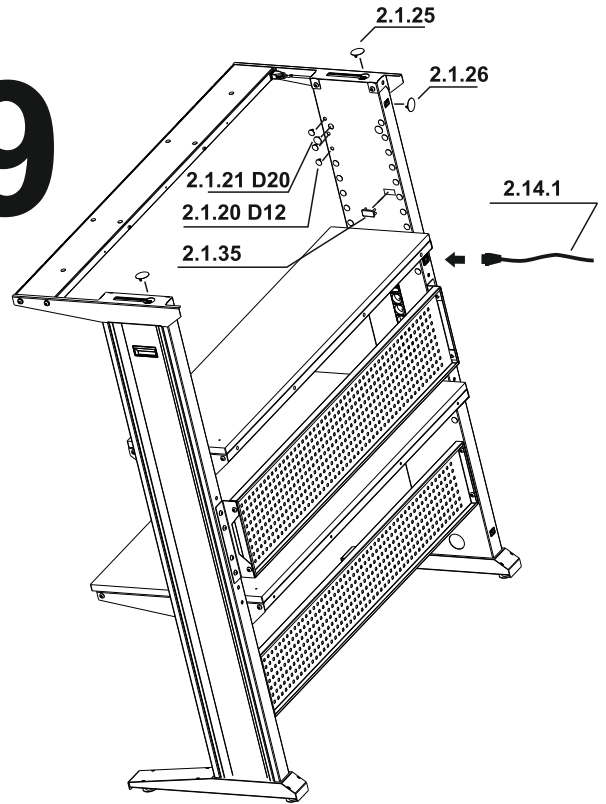
1.6.2 1x10



8

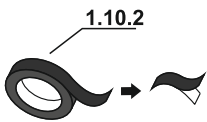


9

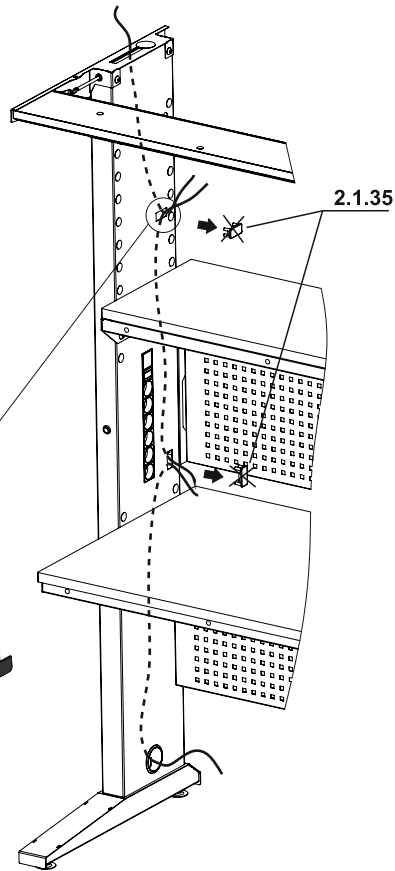
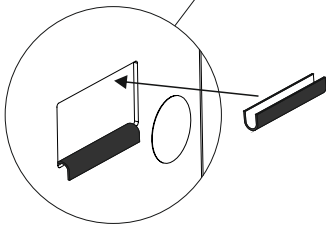


10

10.1



10.2



11

