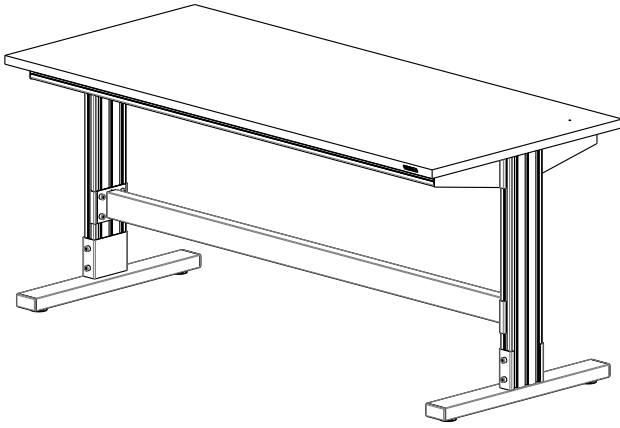



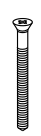



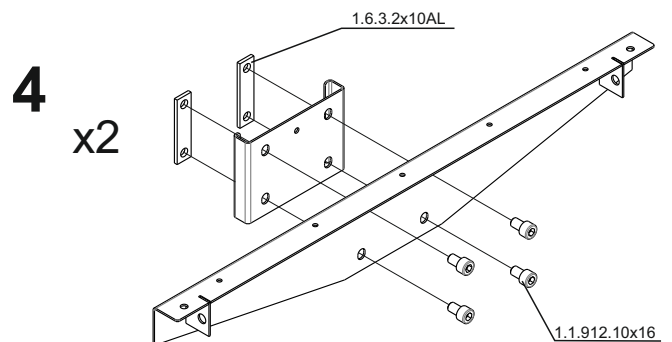
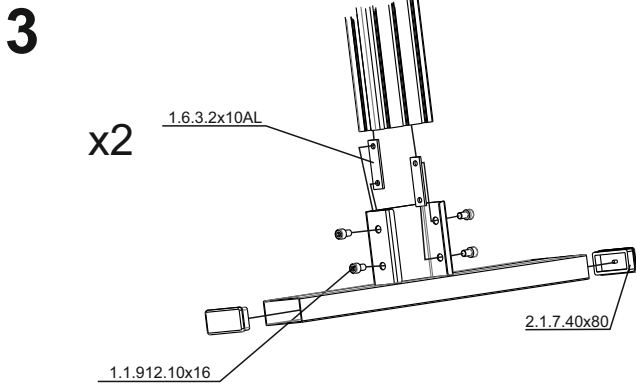
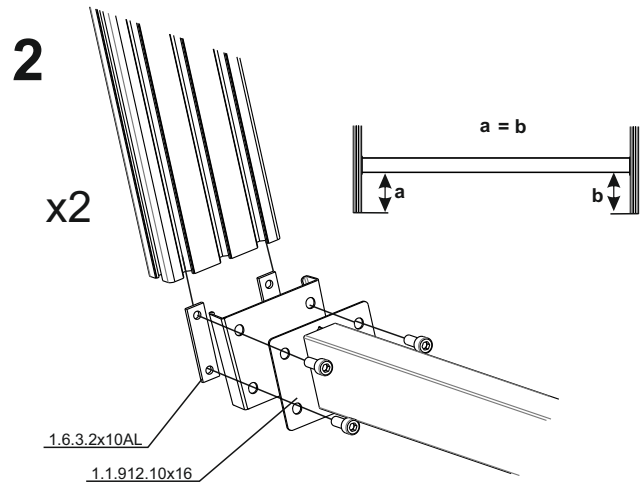
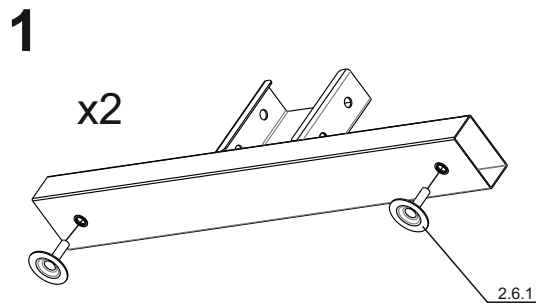


# VIKING



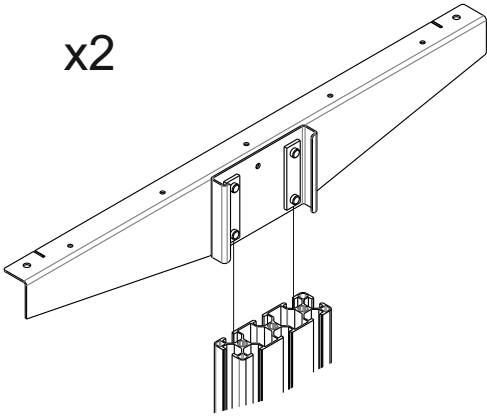
- 1x ALF-T-xx.xx.xx.00.00
- 2x ALF-T-15.01.00.00
- 2x ALF-T-15.02.00.00
- 1x ALF-T-xx.xx.xx.00.00
- 2x ALF-xx.00.01
- 2x ALF-U-15.00.01
- 4x AL-ST-X.00.02

<b>16x</b>  1.6.3.2x10AL AL	<b>28x</b>  1.1.912.10x16	<b>10x</b>  1.3.7.4x16	<b>10x</b>  1.3.14.5x50
<b>4x</b>  2.1.7.40x80	<b>4x</b>  2.6.1	<b>1x</b>  3.1.1.1	



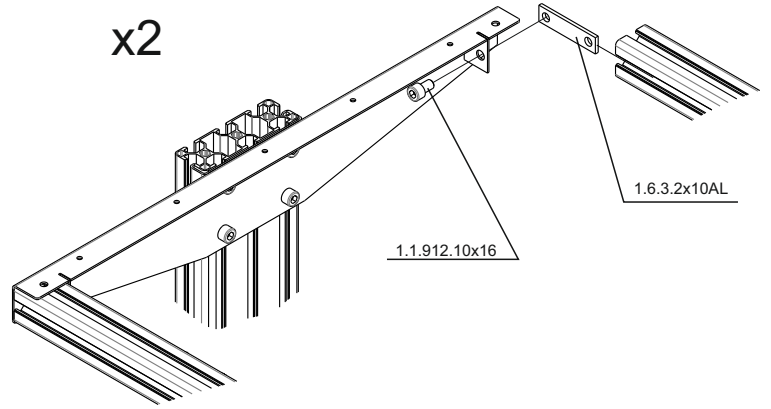
5

x2

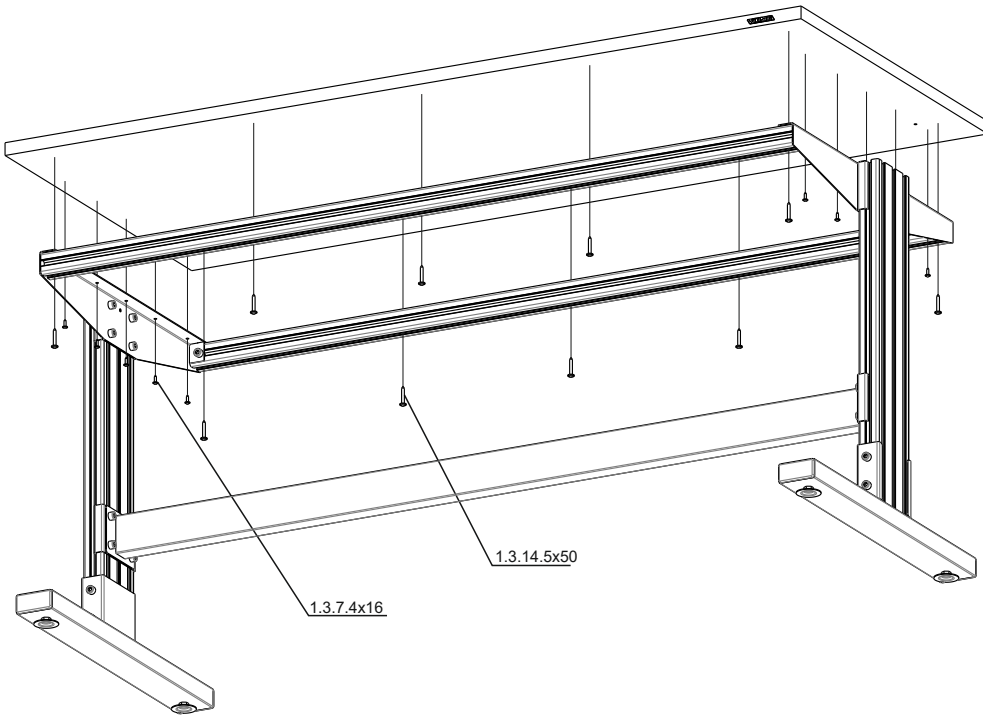


6

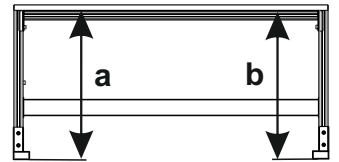
x2



7



a = b



8



ESD

