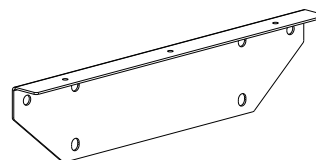


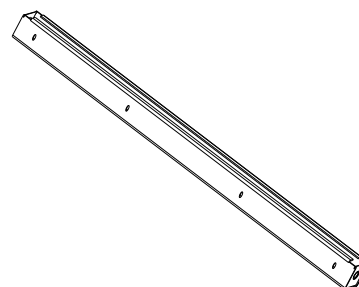
2x

GM-15-7/L.00.00.05



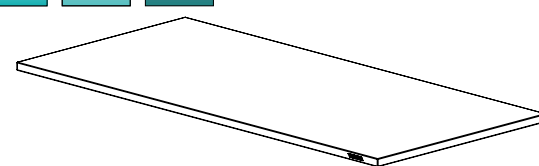
2x



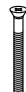


GM-XX-7/L.04.00.00



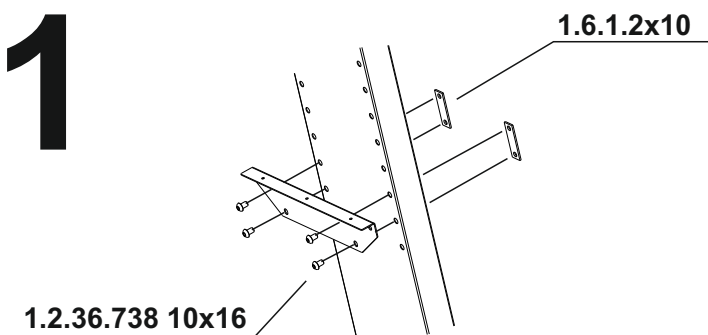
1x

S-12-4 LAB 00.00.00

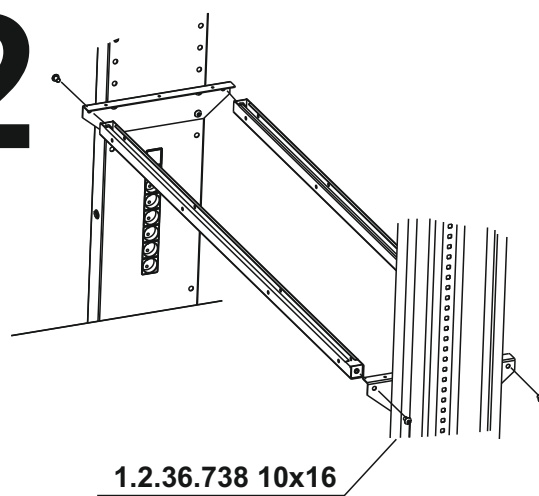


<p>1.2.36.738 10x16</p>  <p>x12</p>	<p>1.3.8 4x16</p>  <p>x6</p>	<p>1.3.14 5x50</p>  <p>x8</p>	<p>1.6.1.2x10</p>  <p>x4</p>	<p>2.1.9D8</p>  <p>x8</p>
---	--	---	--	---

1



2



3

