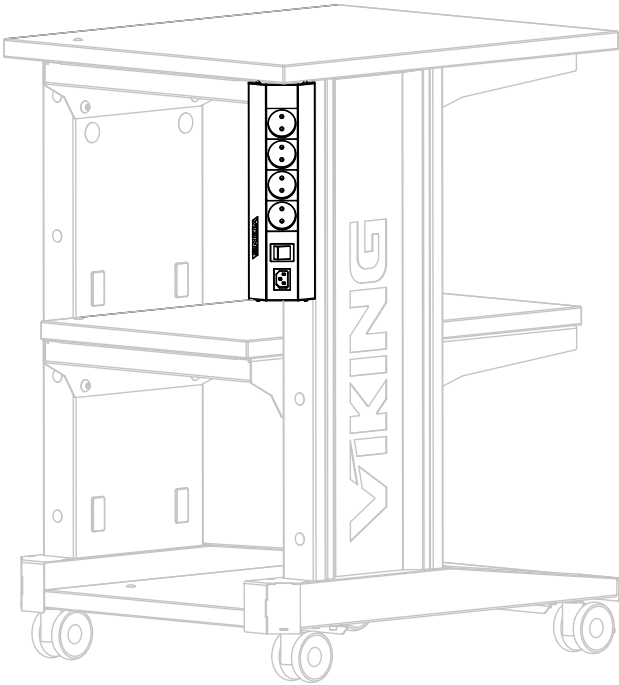
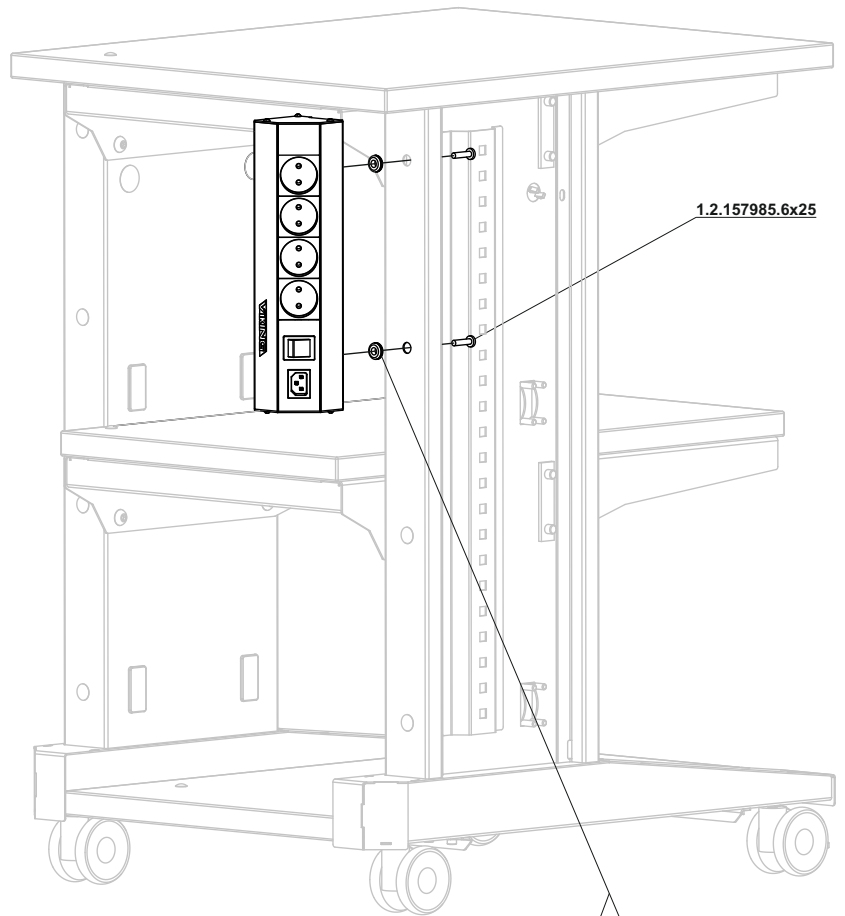
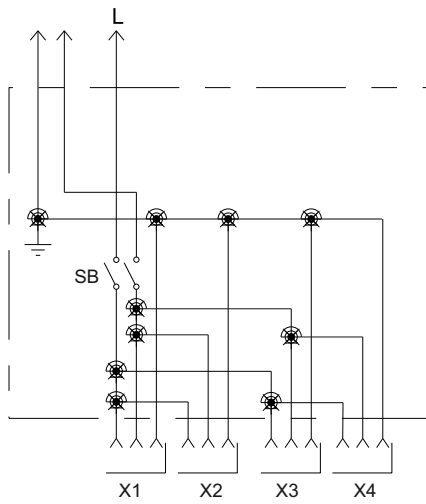
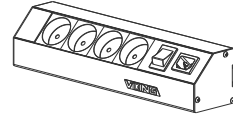


# VIKING



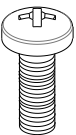


**x1**

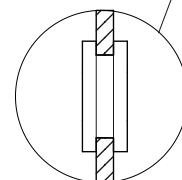
GM-EPAm-PS.01.00.00



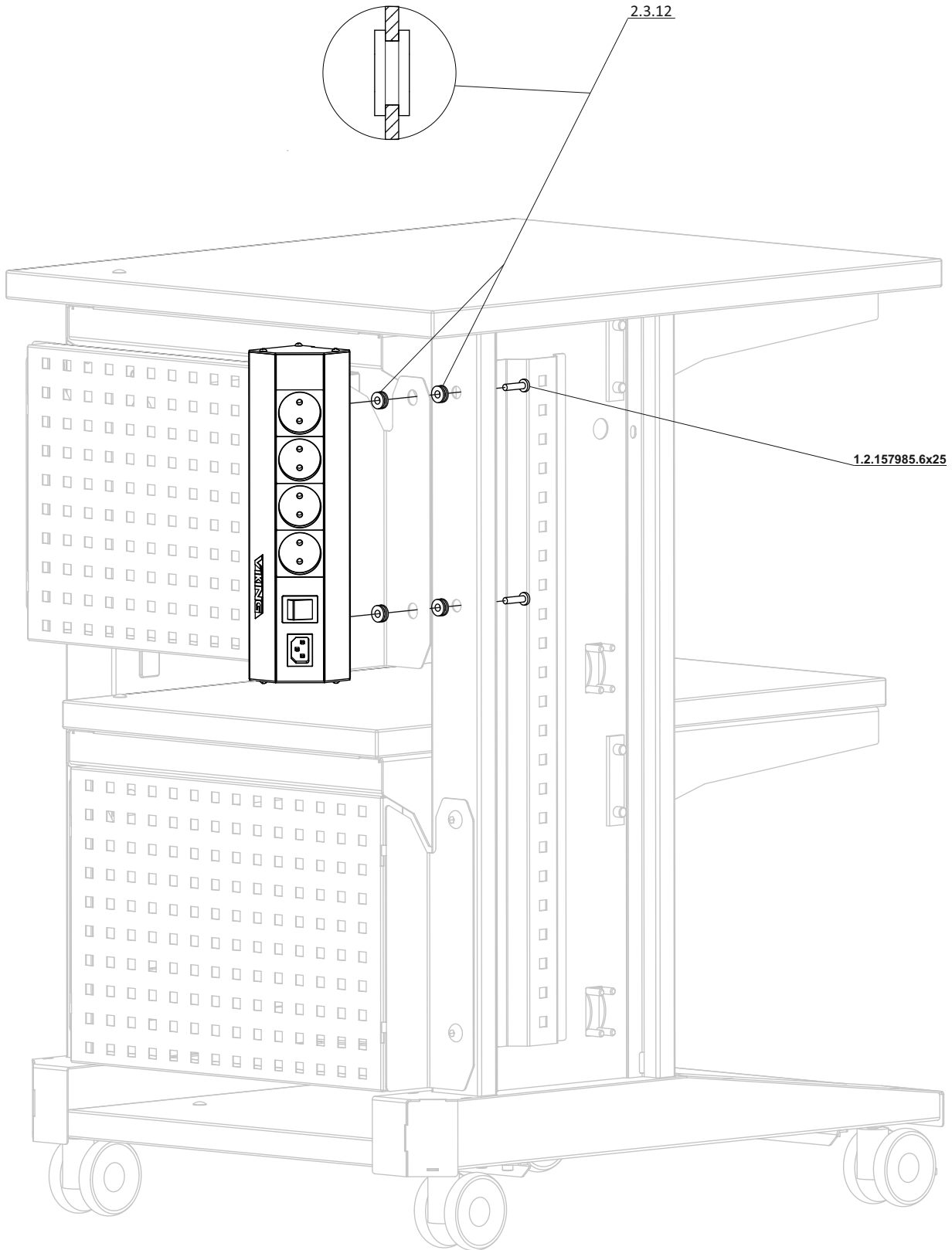
1.2.157985.6x25

2.3.12

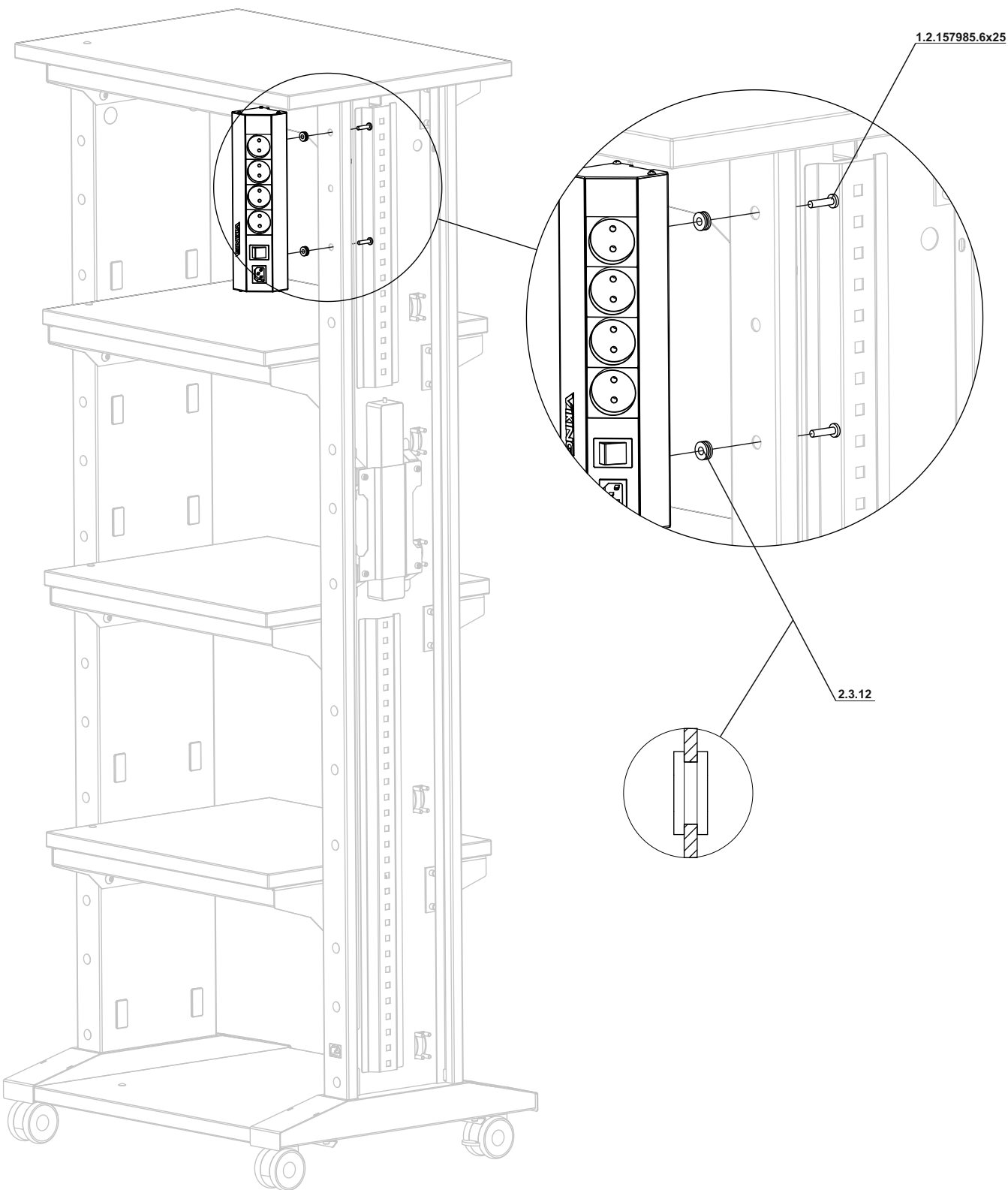
<p><b>x2</b> 1.2.13 6x25</p> 	<p><b>x8</b> 2.3.12</p> 	<p><b>x1</b> 2.14.1 C13</p> 
--	---	---



# If PFP-GM-PS-V



If GM-ST-V



If GM-ST-V+PFP-GM-ST-V

