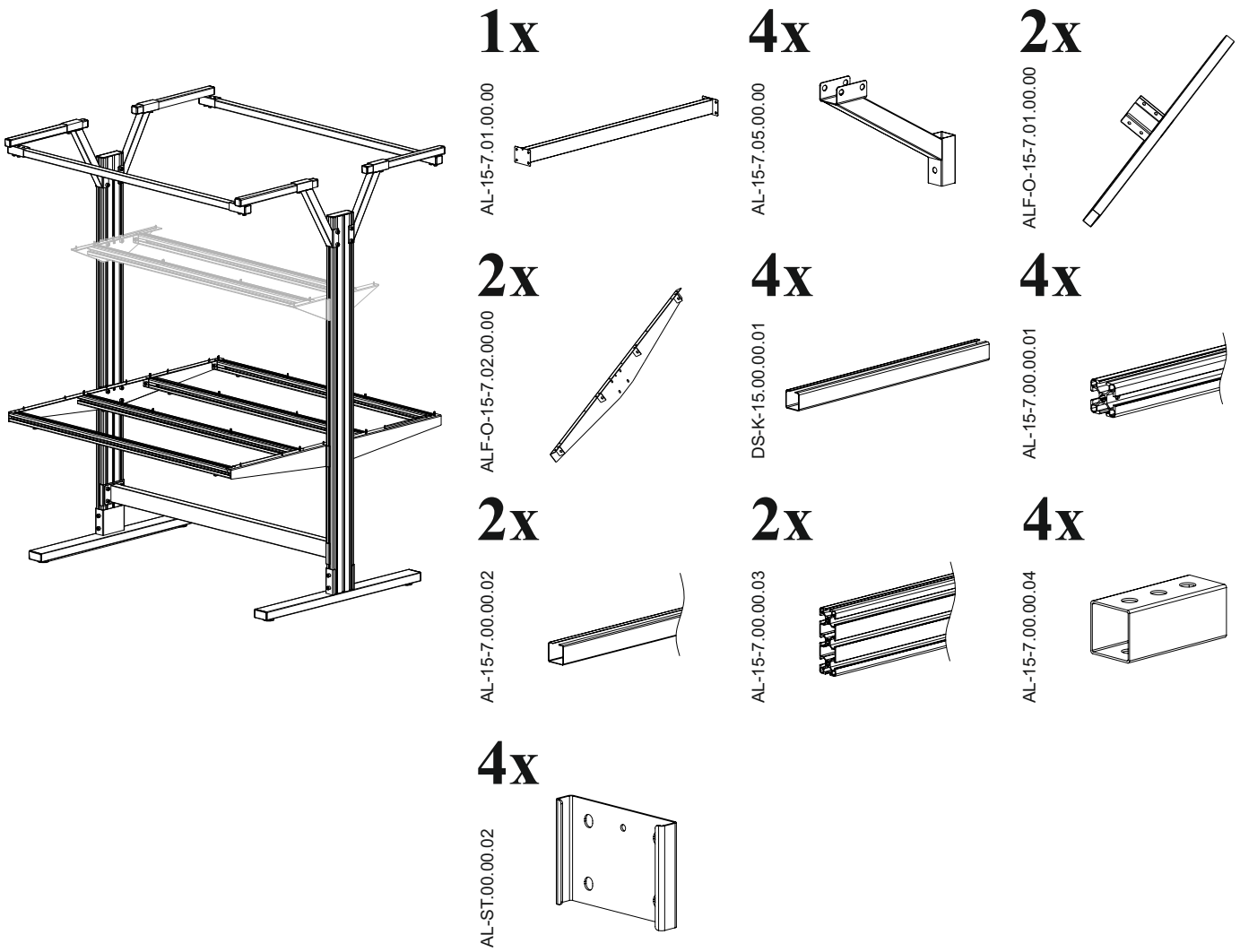
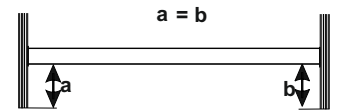
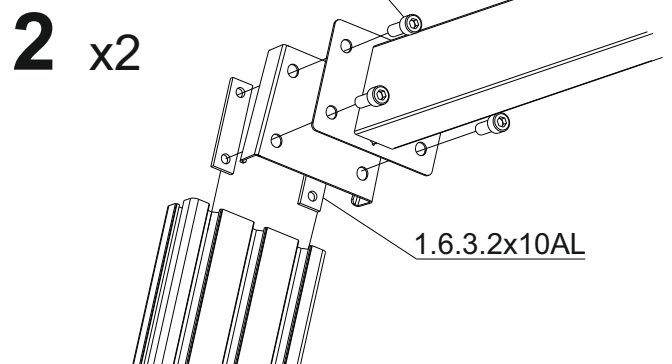
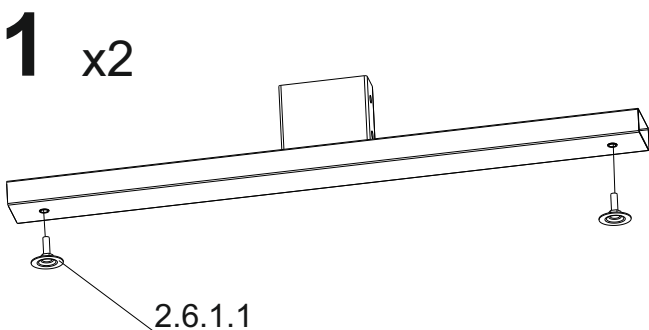


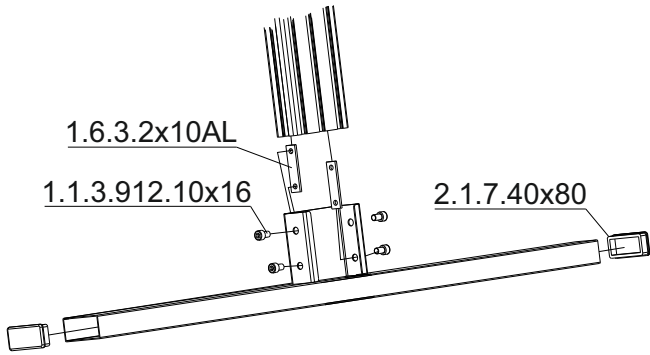
# VIKING



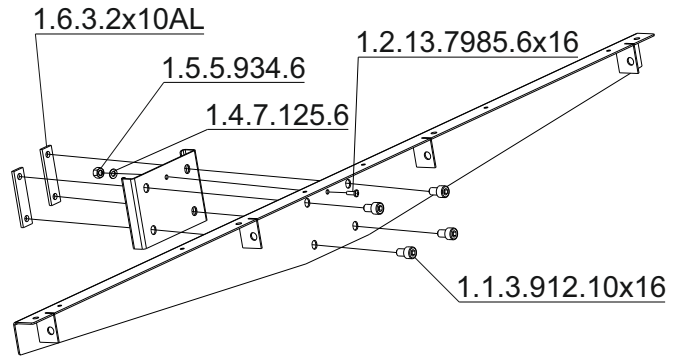
4x 2.1.7.40x80	2x 2.1.18.135x45	4x 2.6.1.1	1x 3.1.1.8x8	36x 1.6.3.2x10AL AL	12x 1.6.4.1x10AL AL	64x 1.1.3.912.10x16	4x 1.1.5.912.10x60	8x 2.1.4.35x35	4x 2.1.6.40x40
2x 1.2.13.7985.6x16	2x 1.5.5.934.6	2x 1.4.7.125.6	12x 1.3.8.4x16	16x 1.3.14.5x50					



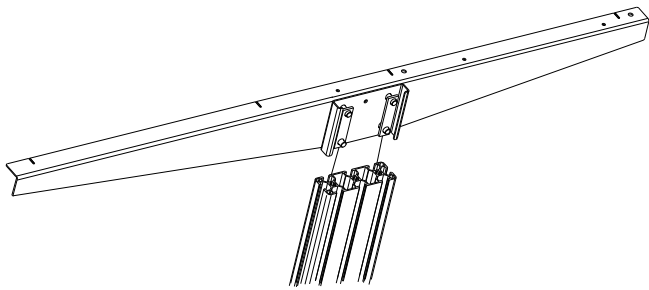
**3** x2



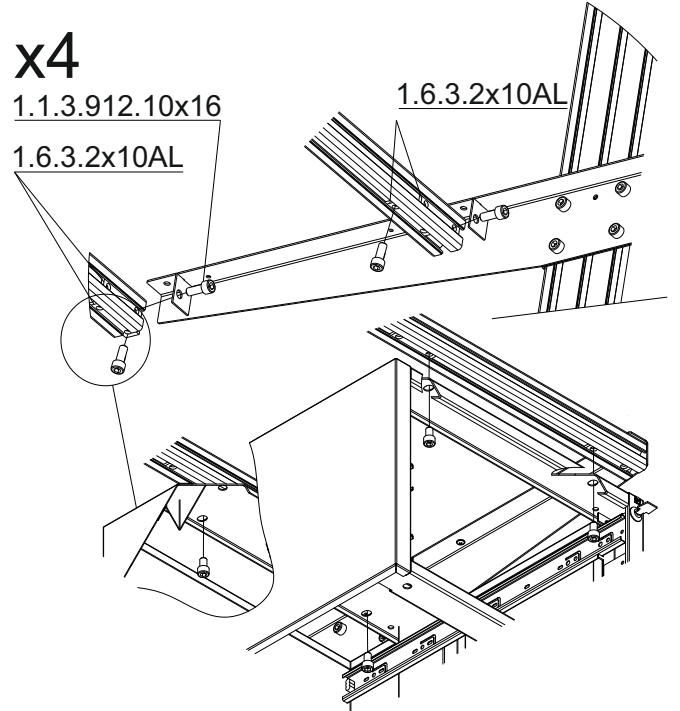
**4** x2



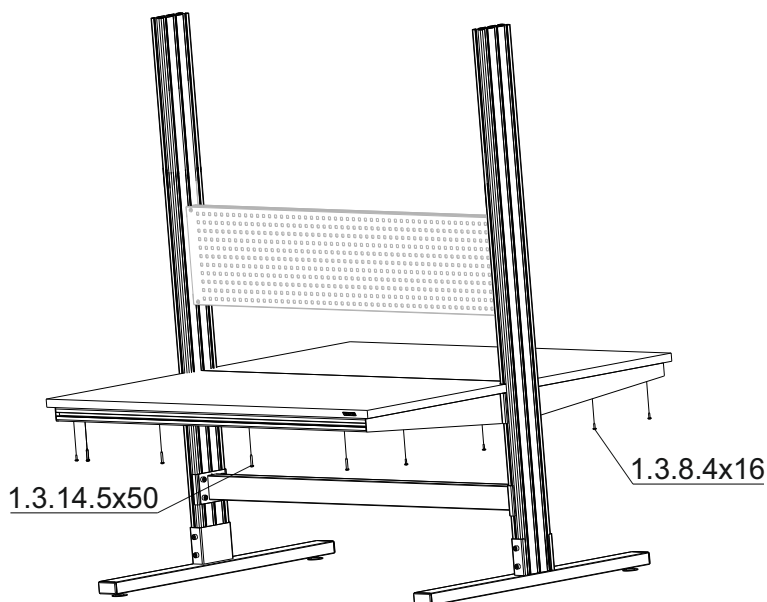
**5** x2



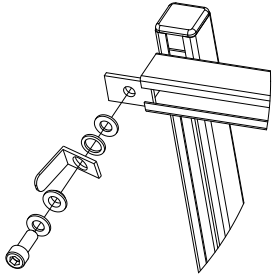
**6** x4



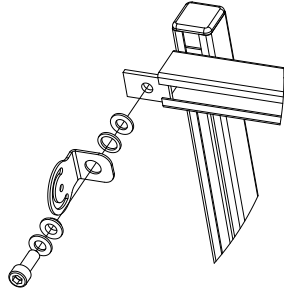
**7**



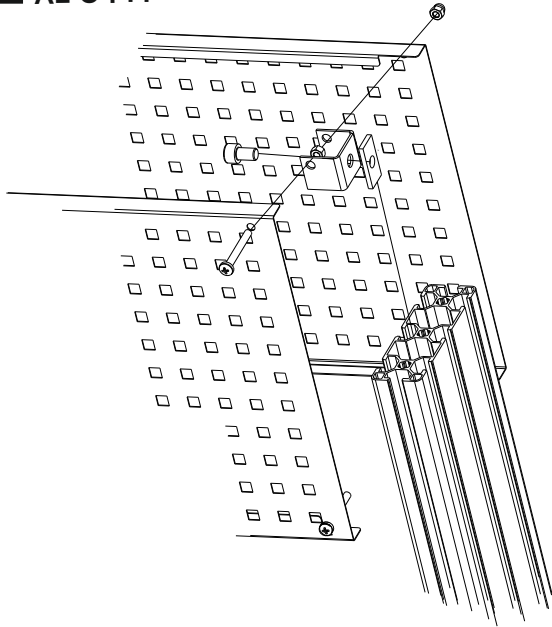
8a X4 DL/A



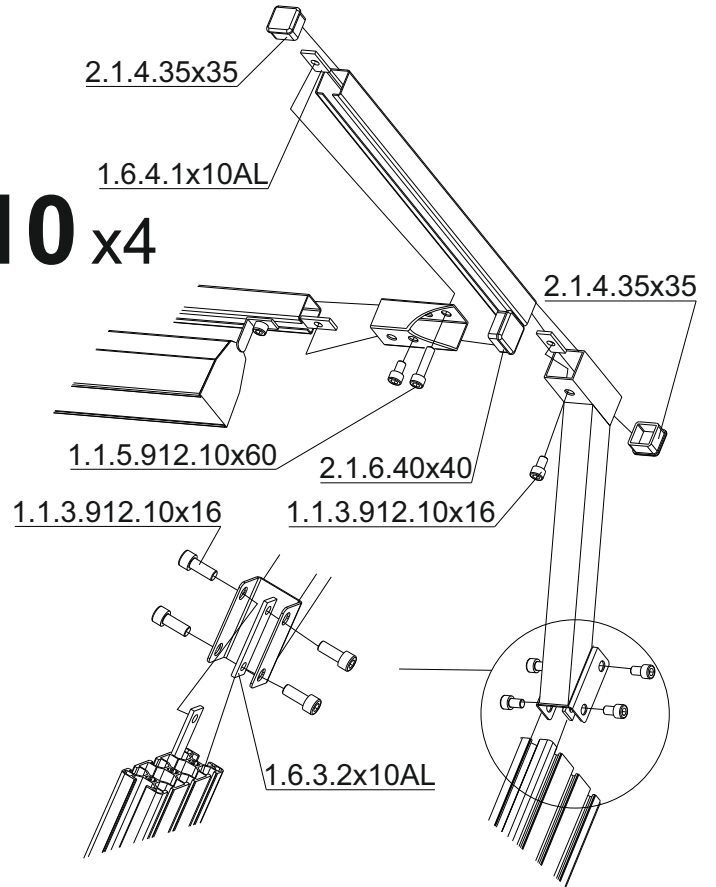
8b X4 DL/S  
DL/S2



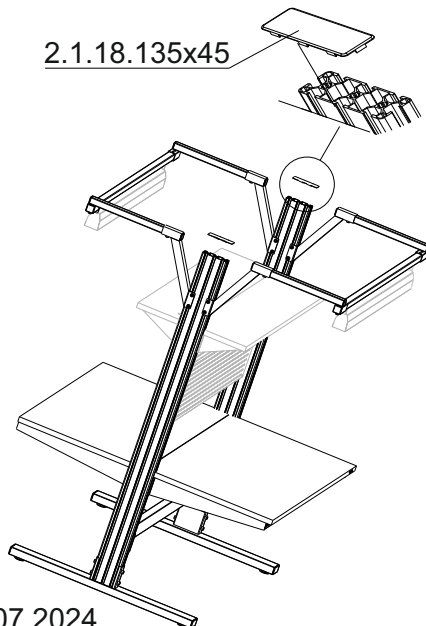
9 X2 AL-O-PFP



10 X4



11



12 

