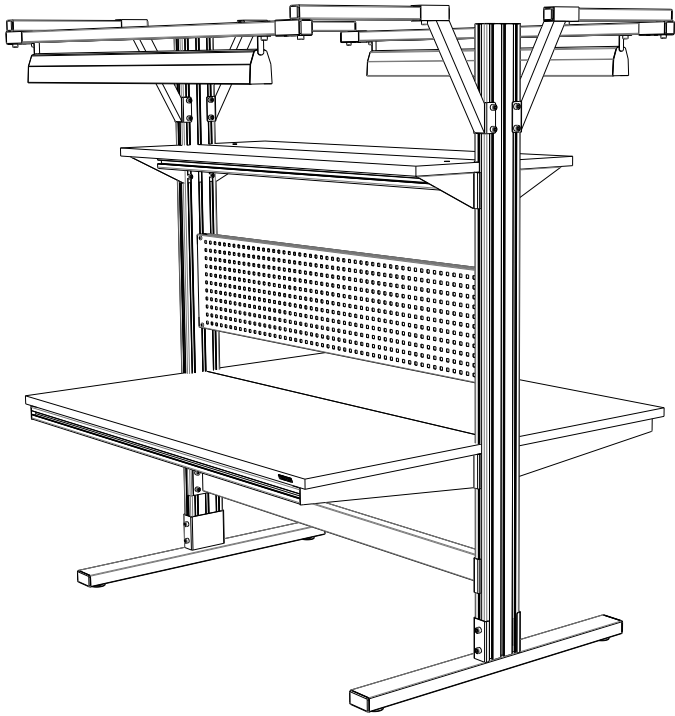
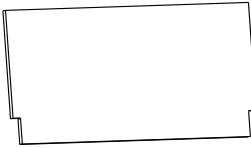


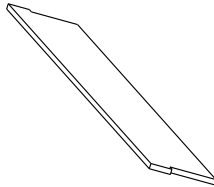
# VIKING



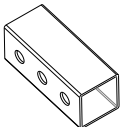
2x  
AL-O-XX.03.00



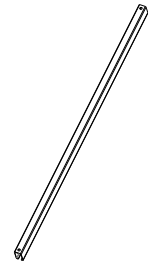
2x  
AL-XX.09.00.



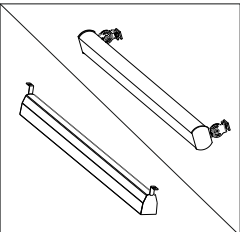
4x  
AL-15.00.04



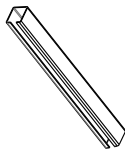
2x  
AL-XX.00.05



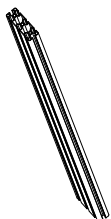
2x  
DL/S / DL/A / DL/N2 /  
N2-D / SV2 / SV2-D



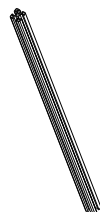
4x  
DLK-15.00.00.01



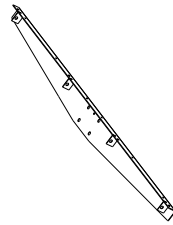
2x  
AL-15.00.07



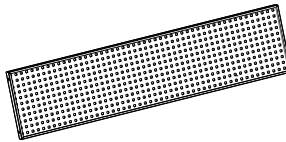
6x  
AL-XX.00.04



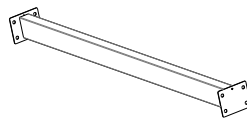
2x  
ALF-O-15.02.00



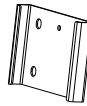
2x  
AL-O-XX.00.01



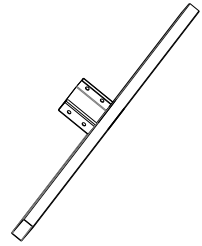
1x  
AL-XX.10.00



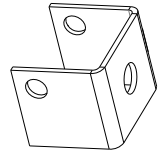
6x  
AL-ST.00.02



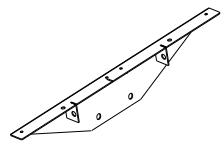
2x  
ALF-O-15.01.00



4x  
PFPO.15.00.00.01



2x  
ALF-O-PO-15.01.00

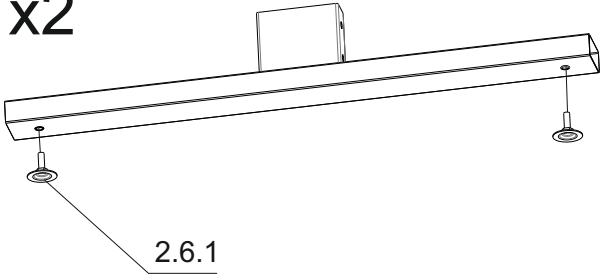


4x  
AL-15.07.00

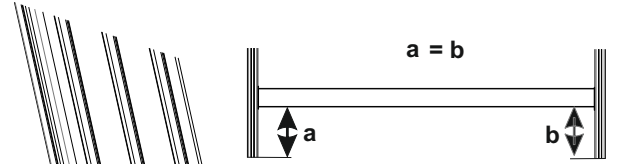


<p>44x 1.6.3.2x10AL</p> <p>AL</p>	<p>24x 1.3.14.5x50</p>	<p>4x 2.1.7.40x80</p>	<p>2x 2.1.20.135x45</p>	
<p>16x 1.6.4.1x10AL</p> <p>AL</p>	<p>4x 1.2.7985.6x50</p>	<p>4x 2.1.6.40x40</p>	<p>8x 2.1.4.35x35</p>	
<p>20x 1.3.7.4x16</p>	<p>4x 1.2.7985.6x16</p>	<p>4x 2.6.1</p>	<p>4x 1.5.1587.6</p>	
<p>80x 1.1.912.10x16</p>	<p>4x 1.1.912.10x60</p>	<p>4x 1.4.125.6</p>	<p>8x 1.5.934.6</p>	<p>1x 3.1.1.1</p>

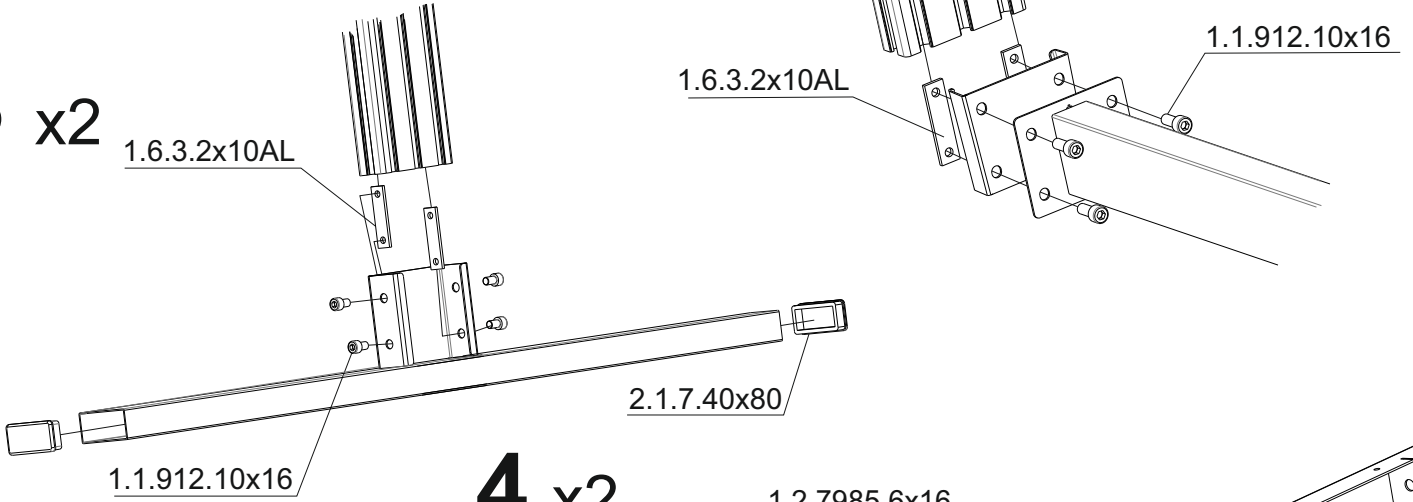
**1** x2



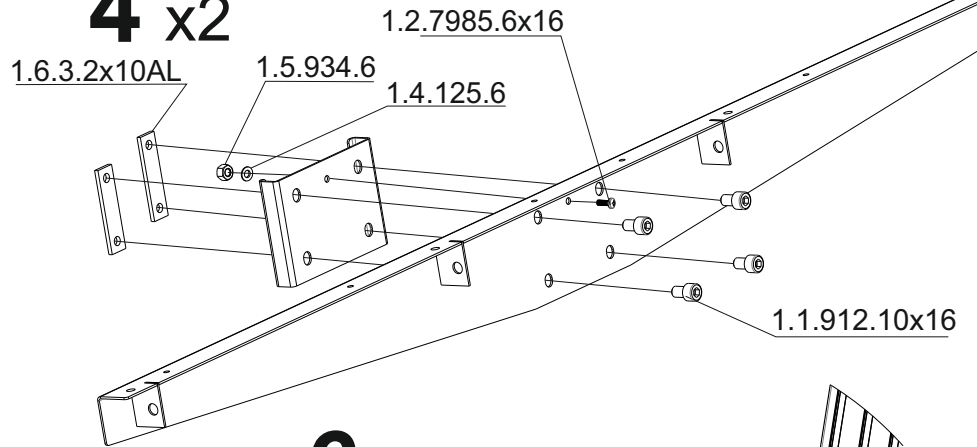
**2** x2



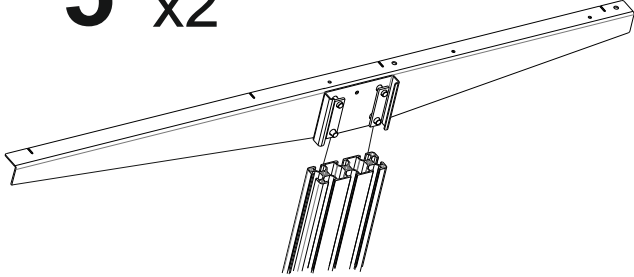
**3** x2



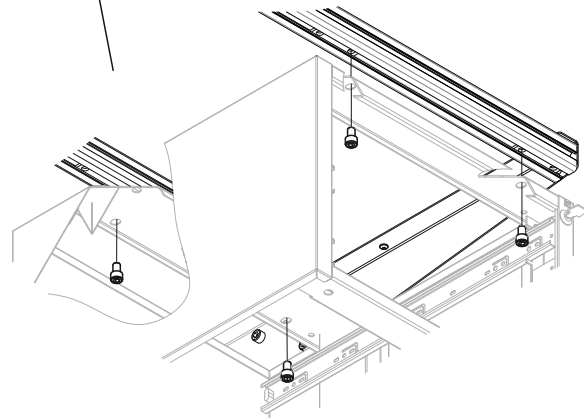
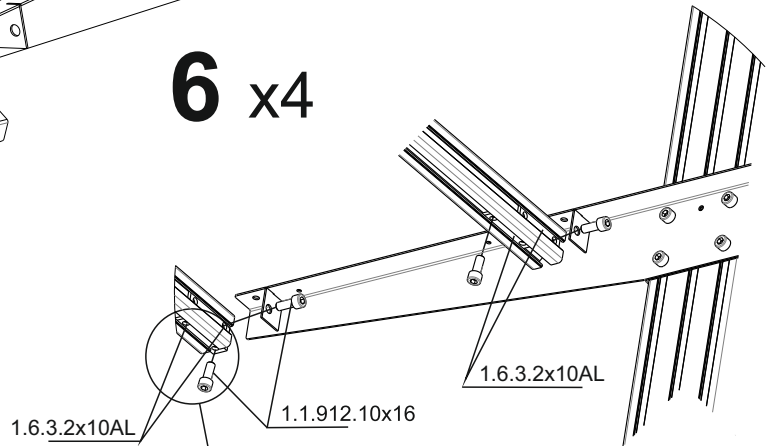
**4** x2



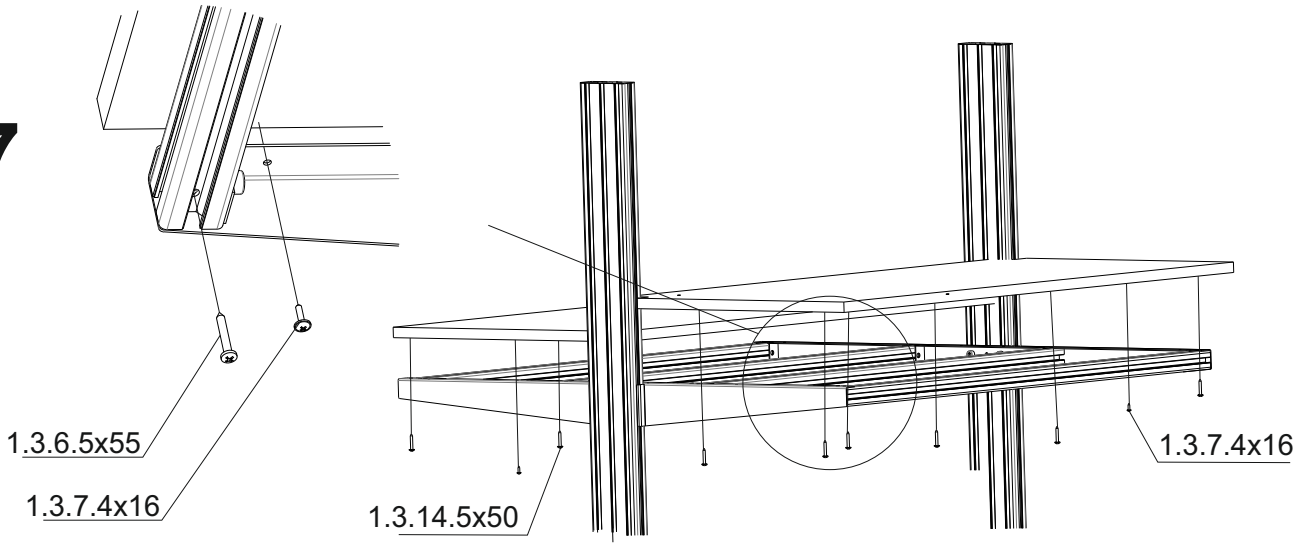
**5** x2



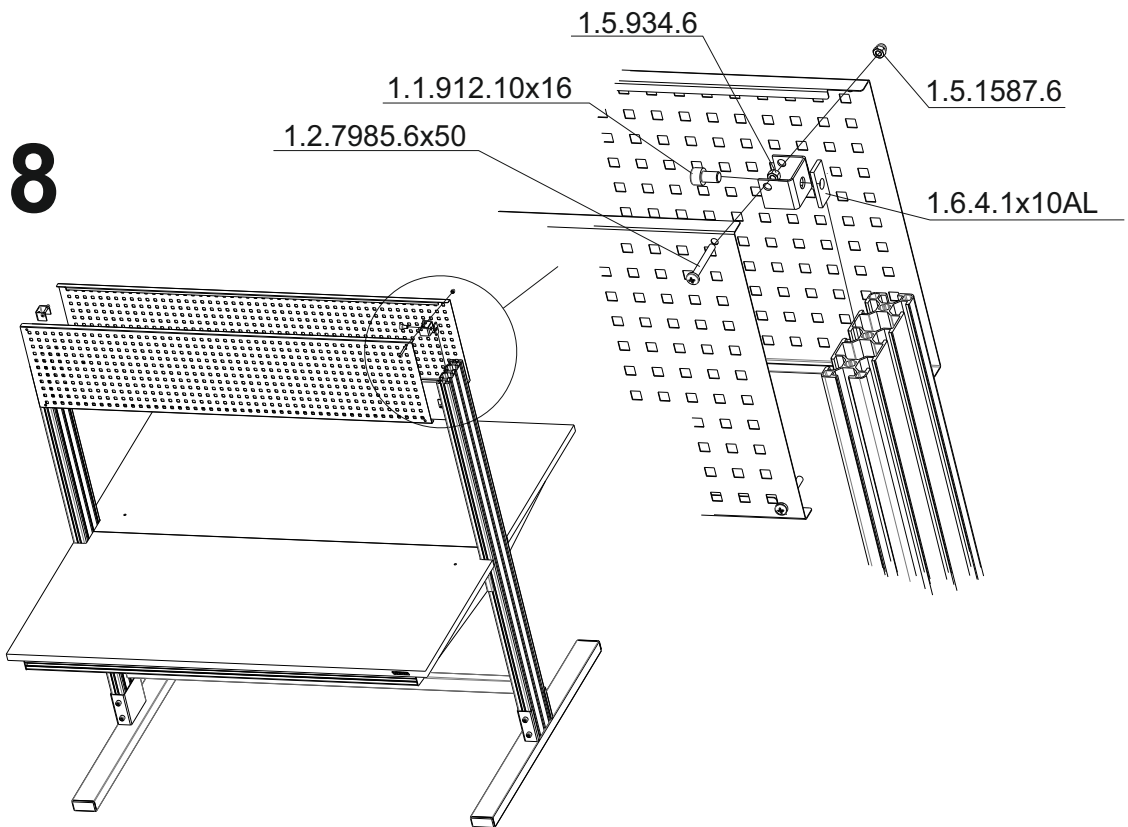
**6** x4



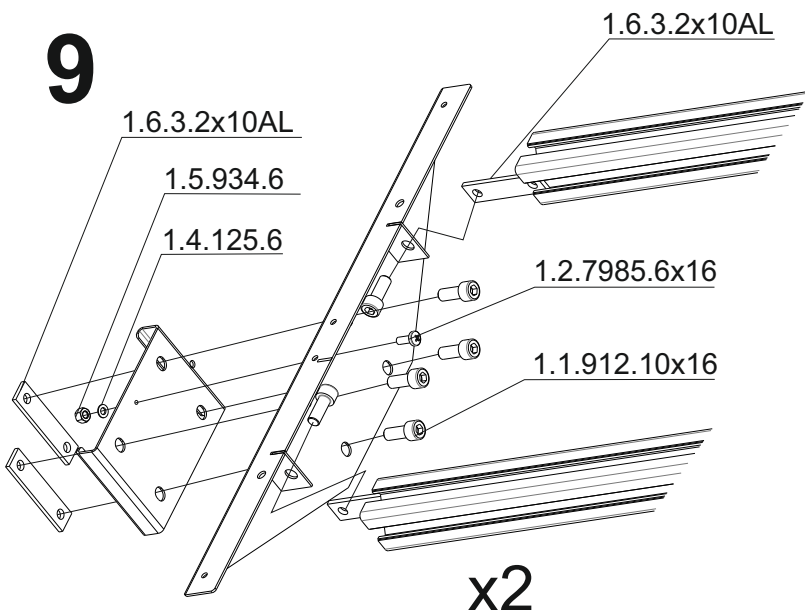
7



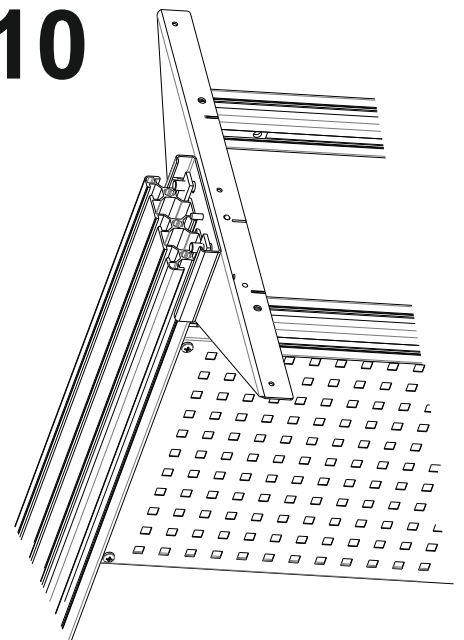
8



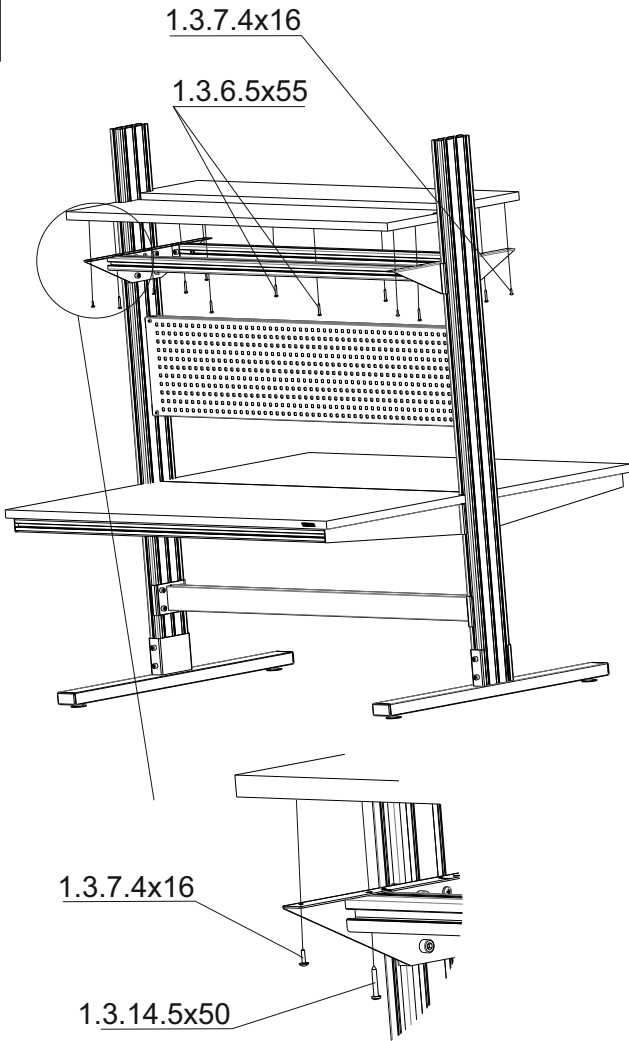
9



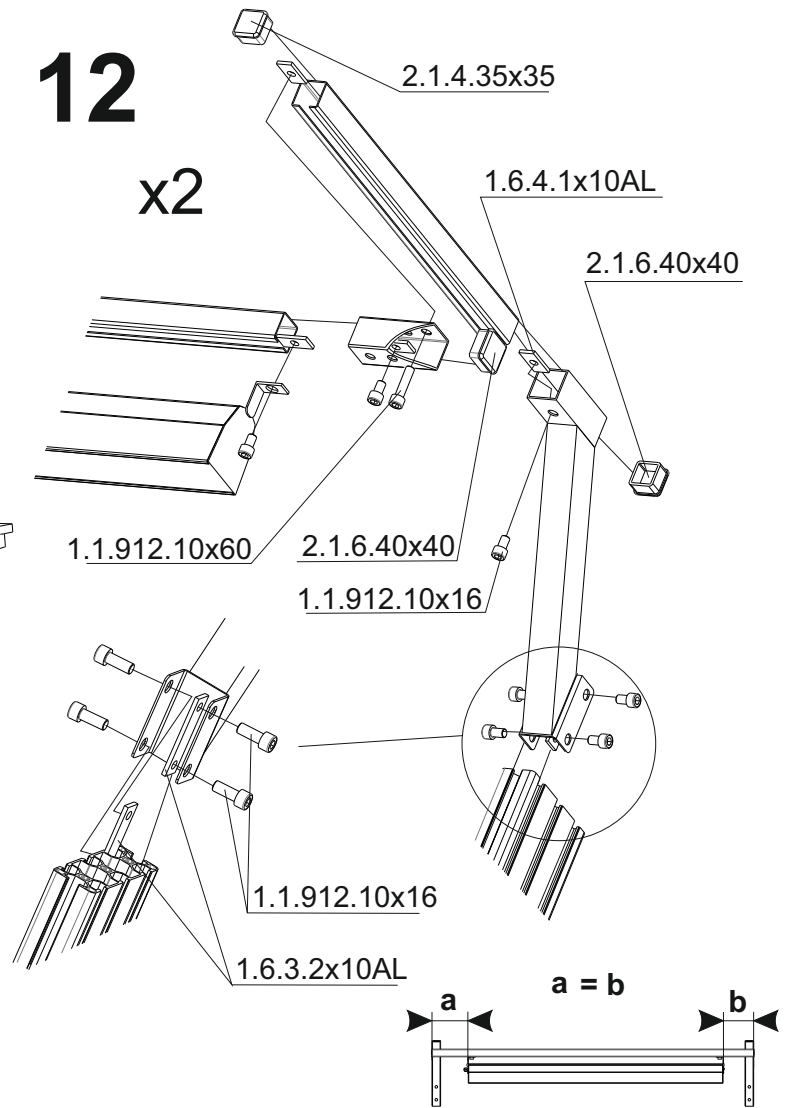
10



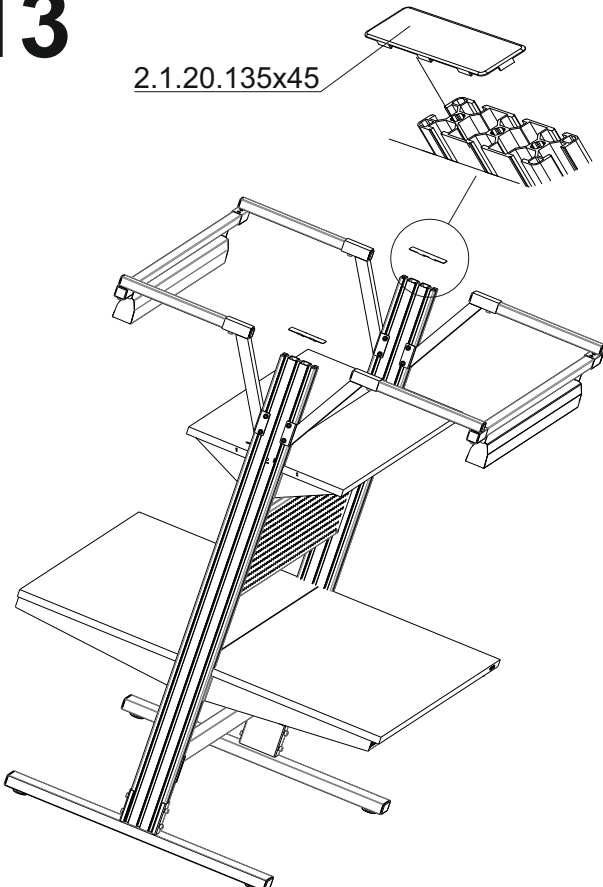
# 11



# 12



# 13



# 14

